

**FIRST  
EDITION**

*Union Special*<sup>®</sup>  
INDUSTRIAL SEWING EQUIPMENT

**CATALOG NO. 117M**

---

**STYLES**

**52300B**

**52300D**

**52300E**

**52300F**

---

**STREAMLINED HIGH SPEED FOUR  
THREAD MACHINES**

Catalog No. 117 M

INSTRUCTIONS

FOR

ADJUSTING AND OPERATING

LIST OF PARTS

CLASS 52300

Four Thread Safety-Stitch Machines

Styles

52300 B  
52300 E

52300 D  
52300 F

First Edition

Copyright 1964

By

Union Special Corporation  
Rights Reserved in All Countries

**UNION SPECIAL CORPORATION**

INDUSTRIAL SEWING MACHINES

**CHICAGO**

Printed in U. S. A.

November, 1978

## IDENTIFICATION OF MACHINE

Each UNION SPECIAL machine is identified by a Style number which is stamped into the name plate on the machine. Style numbers are classified as standard and special. Standard Style numbers have one or more letters suffixed, but never contain the letter "Z". Example: "Style 52300 B". Special Style numbers contain the letter "Z". When only minor changes are made in a standard machine a "Z" is suffixed to the standard Style number. Example: "Style 52300 BZ".

Styles of machines similar in construction are grouped under a class number which differs from the style number, in that it contains no letters. Example: "52300".

## APPLICATION OF CATALOG

This catalog applies specifically to the Standard Styles of machines as listed herein. It can also be applied with discretion to some Special Styles of machines in this class. Reference to direction, such as right, left, front, back, etc., are given from the operator's position while seated at the machine. Operating direction of handwheel is toward the operator.

## STYLES OF MACHINES

Streamlined High Speed Flat Bed, Medium Throw, Vertical Trimmer, Front Disposal of Trimmings, Four Thread, Two Needles, Left Needle in Rear, Dual Stitch, 401 Double Locked Stitch on Left Needle, 503 Two Thread Overedge Stitch on Right Needle, Light Weight Presser Bar and Needle Bar Driving Mechanism, Single Reservoir Enclosed Automatic Lubricating System, Filter Type Oil Return Pump and Oil Siphon for Head.

52300 B For simultaneously seaming and overedging on sport shirts, ladies' blouses, street and house dresses, shoulder pads, coat linings, pillow cases, and similar operations on light to medium weight materials. Especially effective for handling wash and wear and other hard to handle materials. Seam Specification 401-503-SSa-2. Standard gauges Nos. 5-1/8, 8-1/8, 12-1/8 and 12-3/16.

52300 D Same as Style 52300 B, except fitted with combination end cover and apron type cloth plate. Standard gauges Nos. 5-1/8, 8-1/8, 12-1/8 and 12-3/16.

52300 E For simultaneously seaming and overedging on sport shirts, ladies' blouses, street and house dresses, shoulder pads, coat linings, pillow cases, and similar operations on light to medium weight materials. Seam Specification 401-503-SSa-2. Standard gauges Nos. 5-1/8, 8-1/8 and 12-3/16.

52300 F Same as Style 52300 E, except fitted with combination end cover and apron type cloth plate. Standard gauges Nos. 5-1/8, 8-1/8 and 12-3/16.

## NEEDLES

Each UNION SPECIAL needle has both a type number and size number. The type number denotes the kind of shank, point, length, groove, finish and other details. The size number, stamped on the needle shank, denotes the largest diameter of blade measured in thousandths of an inch, midway between the shank and the eye. Collectively, the type number and the size number is the complete symbol which is given on the label of all needles packaged and sold by Union Special.

Standard needle for all Styles in Class 52300 is Type 108 GHS. It has a round shank, round point, extra short, double groove, struck groove, ball eye, spotted, ball point, chromium plated - available in sizes 070/027, 075/029, 080/032, 090/036, 100/040, 110/044, 125/049.

## NEEDLES (Continued)

To have needle orders promptly and accurately filled, an empty package, a sample needle, or the type and size number should be forwarded. Use description on label. A complete order would read: "1000 Needles, Type 108 GHS, Size 080/032".

Selection of the proper needle size should be determined by size of thread used. Thread should pass freely through the needle eye in order to produce a good stitch formation.

## ORDERING OF REPAIR PARTS

### ILLUSTRATIONS

The arrangement of this catalog is to facilitate easy and accurate ordering of Class 52300 replacement parts.

Exploded view plates cover the Standard Styles listed in this catalog. Each plate presents a sector of the machine, parts being aligned as in their assembled position. Small keyline views show by a blackened area exactly where the parts being discussed fit in the assembled machine. On the page opposite the illustration will be found a listing of the parts with their part numbers, descriptions and the number of pieces required in the particular view being shown.

Numbers in the first column are reference numbers only, and merely indicate the position of the part in the illustration. Reference numbers should never be used in ordering parts. Always use the part number listed in the second column. Each exploded view plate carries a reference number for each part for sale.

Sub-assemblies, which are sold complete, or by separate part, are in a bracket or a solid line box on the exploded view plate. Component parts of sub-assemblies, which can be furnished for repairs, are indicated by indenting their descriptions under the description of the main sub-assembly. Example:

3	29476 KB	Crankshaft Assembly, .910 inch throw -----	1
4	51216 M	Needle Bearing -----	28

It will be noted in the above example that the bearing and crankshaft are not listed. The reason is that replacement of these parts individually is not recommended, so the complete sub-assembly should be ordered.

In those cases where a part is common to all of the machines covered by this catalog, no specific usage will be mentioned in the description. However, when the parts for the various machines are not the same, the specific usage will be mentioned in the description, and if necessary, the difference will be shown in the illustration.

At the back of the book will be found a numerical index of all the parts shown in this book. This will facilitate locating the illustration and description when only the part number is known.

## IDENTIFYING PARTS

Where the construction permits, each part is stamped with its part number. On some of the smaller parts, and on those where the construction does not permit, an identification letter is stamped in to distinguish the part from similar ones.

Part numbers represent the same part, regardless of catalog in which they appear.

**IMPORTANT! ON ALL ORDERS, PLEASE INCLUDE PART NAME AND STYLE OF MACHINE FOR WHICH PART IS ORDERED.**

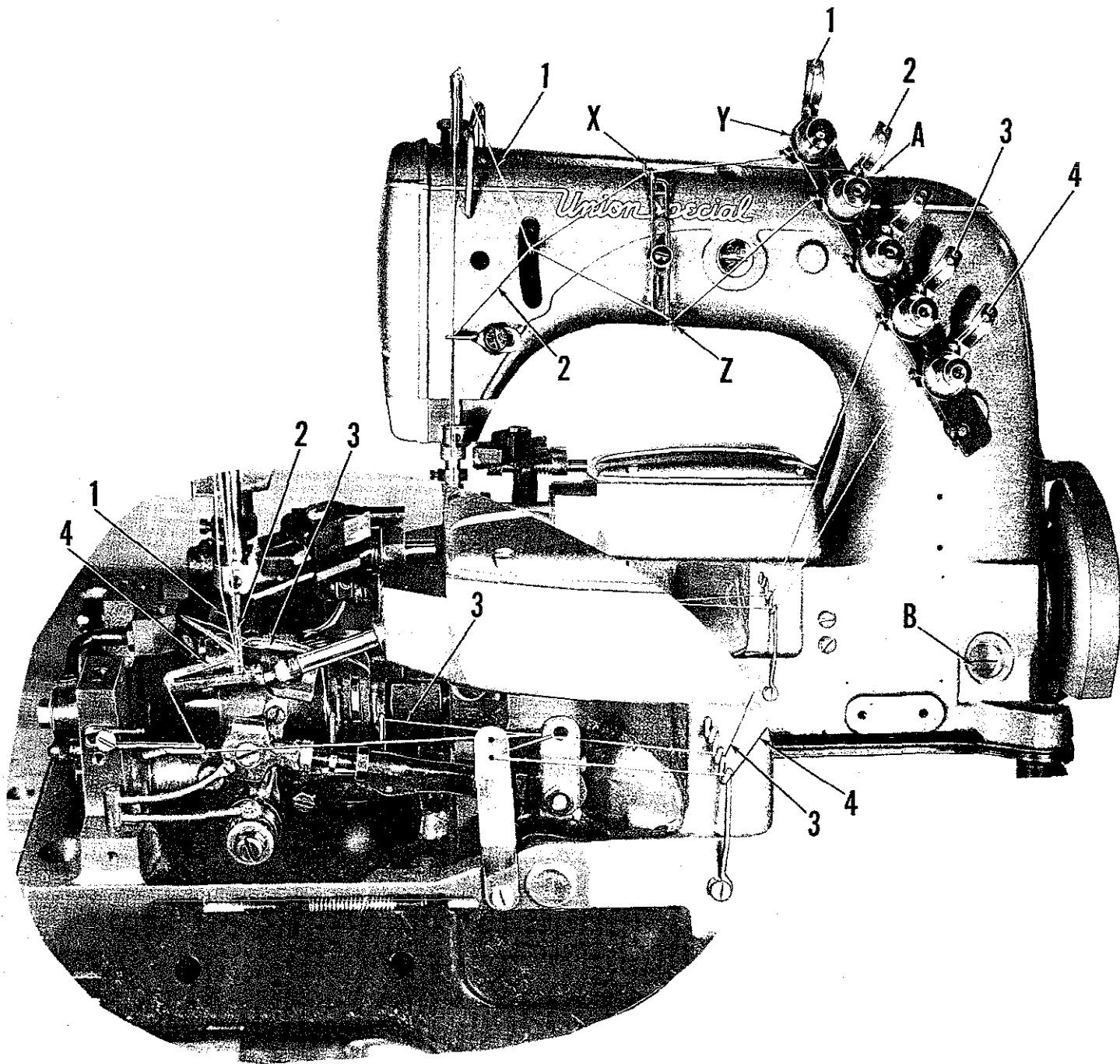
## USE GENUINE NEEDLES AND REPAIR PARTS

Success in the operation of these machines can be secured only with genuine UNION SPECIAL Needles and Repair Parts as furnished by the Union Special Corporation, its subsidiaries and authorized distributors. They are designed according to the most approved scientific principles, and are made with utmost precision. Maximum efficiency and durability are assured.

Genuine needles are packaged with labels marked *Union Special*®. Genuine repair parts are stamped with the Union Special trademark, U S Emblem. Each trademark is your guarantee of the highest quality in materials and workmanship.

### TERMS

Prices are strictly net cash and are subject to change without notice. All shipments are forwarded f. o. b. shipping point. Parcel Post shipments are insured unless otherwise directed. A charge is made to cover the postage and insurance.



OILING AND THREADING DIAGRAM FOR CLASS 52300 MACHINES

The oil has been drained from the machine before shipping and the reservoir must be filled before beginning to operate. Use a straight mineral oil with a Saybolt viscosity of 90 to 125 seconds at 100° Fahrenheit.

Oil is filled at the spring cap in the top cover (A) and the oil level is checked at the sight gauge (B) on the front of the machine. The oil level should be maintained between the red lines on the gauge. The capacity of the oil reservoir is 12 ounces.

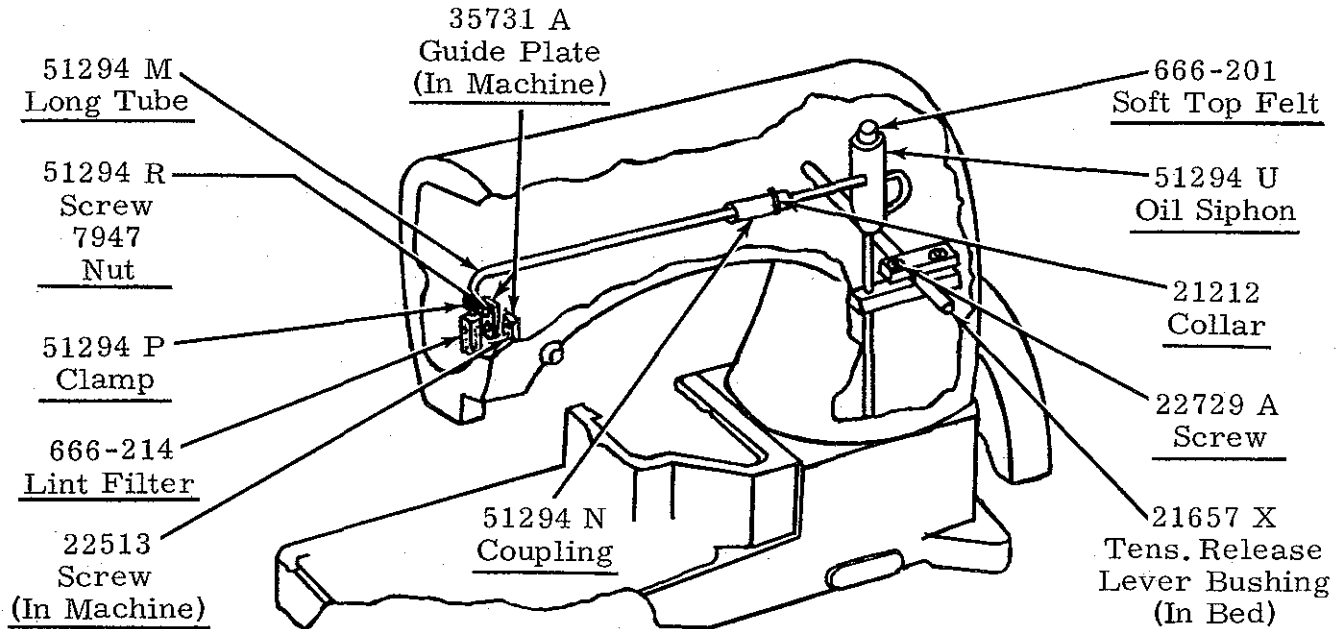
The machine is automatically lubricated and no oiling, other than keeping the main reservoir filled is necessary.

A daily check before the morning start should be made and oil added if required. Oil which has gone through the machine is filtered and pumped back into the main reservoir, making too frequent oilings unnecessary. Excessive oil in the main reservoir may be drained at the plug screw in the main frame directly under the handwheel.

The above picture shows the manner in which the 52300 Styles covered in this catalog are threaded. The looper threading has been enlarged for clarity.

## SELF-PRIMING HEAD OIL SIPHON

Class 52300 machines are equipped with a self-priming head oil siphon. When the machine is started, oil splashes on the priming cup felts, filters through the felts, and trickles down the vertical oil tube, thus, priming the siphon. Once the prime is established, it is maintained, unless the felts are removed. The siphon operates twenty-four hours a day, removing oil at the rate of six to twelve drops per minute, which of course, far exceeds the rate at which oil collects in the head.



### INSTALLING AND MAINTENANCE OF OIL SIPHON

A newly installed siphon starts its action within three to five minutes after the machine is operating. However, it may be twenty minutes or so before all the air is removed from the line and the siphon is in full operation. Within an hour, there is a distinct drop in oil level in the head sump.

The felts in the priming cup are designed for a specific purpose. The bottom felt, 666-209, is thin and relatively dense, to meter the flow of priming oil and to prevent the entrance of air. The softer top felt, 666-201, is a filter to prevent the clogging of the metering felt. This felt, at the intake of the siphon, keeps the siphon clear of lint, and prevents the entrance of air at that point. For the best initial self-priming condition, the felts of the siphon should be dry. In this condition, it is difficult for air to be trapped between the felts or in the top soft felt itself.

However, if for some reason the priming cup felts had been oiled before installing, the siphon may fail because air is trapped between the felts or in the soft top felt. As a precaution, remove the soft felt from the cup. Then, while squeezing the felt between the fingers, saturate it well with oil. In other words, squeeze out the air and replace it with oil. Then, completely fill the cup with oil, and push or twist the soft felt down into cup so that it definitely contacts the harder thin felt. This precaution prevents the trapping of air, and no trouble should be experienced when starting the siphon.

If you want to be doubly sure that the siphon is functioning correctly, on a machine in operation, apply a certain amount of oil in the sump around the felt in the head. Before doing this, be certain that this felt has been saturated in the same manner as explained for the soft felt in the top of the siphon cup. When this is done, the siphoning action will begin, and the oil will be removed as explained.

## INSTRUCTIONS FOR MECHANICS

### NEEDLE LEVER STUD SETTING

Observe the location of the needle lever stud (A, Fig. 1). The head of the needle lever stud is marked with an arrow and the word "UP". These studs are set correctly when the arrow points vertically up. Also check the position of the needle lever bearing oiler (B) inside the arm casting, which lubricates the needle lever stud. Make sure it is tilted downwardly and that its delivery end (C) contacts the inside wall of the bed casting at the back, just above the notch of the needle lever shaft stop collar. Do not allow the oil tube to rest on the needle lever.

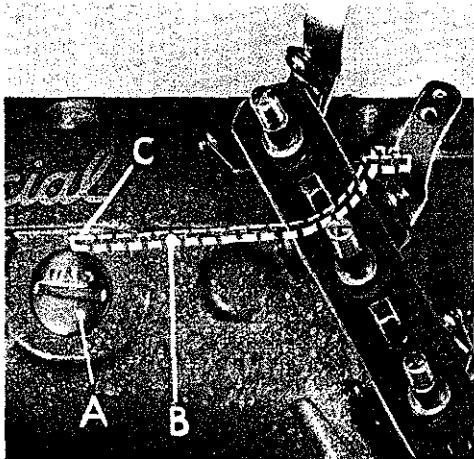


Fig. 1

all plug screws for leakage.

### OILING SYSTEM

Clean machine thoroughly. Fill oiling system to the first red line of oil gauge on the front of the machine, and oil all bearings. Run machine slowly for a minute to allow oil wicks to carry oil to the bearings. Then recheck oil in oiling system and run machine for five minutes at 5000 R. P. M. Wipe up any surplus oil, particularly around the take-up. Inspect siphon and head felt for proper function, and

### NEEDLE BAR ALIGNMENT

Align needle bar by using a new set of needles Type 108 GS, of a size to meet the requirements. Loosen screw (A, Fig. 2) and turn needle bar (B) so that the needles (C) center in the front end of the needle slots in the throat plate (D), and retighten screw. The height of the needle bar is set so that the top of the rear needle's eye is  $\frac{1}{32}$  inch below the back looper, when point of looper, moving to the left, is even with the left side of this needle.

### SETTING THE BACK LOOPER (401 Stitch)

Insert the rear needle (A, Fig. 3), Type 108 GS, size as specified and insert the 401 stitch looper (B) in the looper rocker (C), and tighten screw (D). Rotate hand-wheel in operating direction until back looper is in the extreme right position. The looper should be set so that its point is  $\frac{1}{8}$  inch from the center of the back needle, as in Fig. 3. Looper gauge No. 21225- $\frac{1}{8}$  can be used advantageously in making this adjustment. If adjustment is needed, loosen nut (A, Fig. 4) (it has a left hand thread) and also loosen nut on right end of connecting rod (B), turn connecting rod forward or backward to obtain  $\frac{1}{8}$  inch, and retighten both nuts.

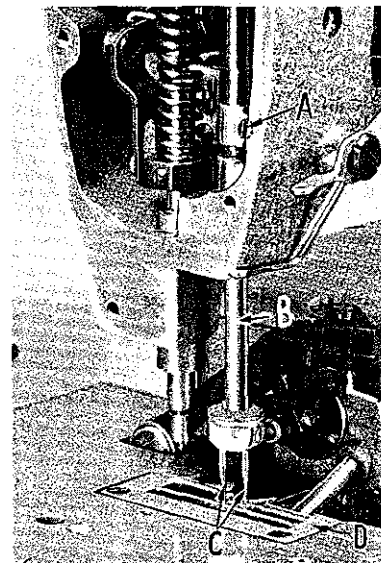


Fig. 2

The looper is set correctly in line with the feed when the looper, moving to the left, passes the back of the rear needle as close as possible without contacting or approximately .002 inch clearance. If adjustment is needed, loosen screw (C) and move looper toward or away from needle as required, and retighten screw.



## SETTING THE FRONT LOOPER (503 Stitch)

Insert the front needle (E, Fig. 3) and also insert the 503 stitch looper (F) in the lower looper bar (G), and tighten nut (H). Rotate handwheel in operating direction until front looper is in the extreme left position. The looper should be set so that its point is  $\frac{1}{8}$  inch from the center of the front needle, as in Fig. 3. Looper gauge No. 21225- $\frac{1}{8}$  can be used advantageously in making this adjustment. If adjustment is needed, loosen nut (H) and slide looper in or out of its holder and retighten nut.

The looper is set correctly in line with the feed when the looper, moving to the right, passes the back of the front needle as close as possible without contacting or approximately .002 inch clearance. If adjustment is needed, loosen nut (H) and rotate looper toward or away from needle as required, and retighten nut.

Set the needle guard (J) on the front looper and swing the needle guard out so that the guard contacts the needle, but does not deflect it. When the guard is properly set, the clearance between the looper and needle has not been changed, and the looper will not pick the needle when the looper is moving to the right and the needle is held against the needle guard.

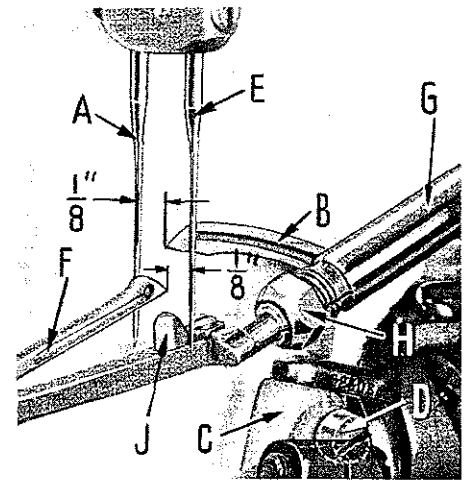


Fig. 3

## SYNCHRONIZING LOOPER AND NEEDLE MOTIONS

With the back looper (B, Fig. 3) in the looper rocker (C), turn the handwheel in the operating direction until the looper moves to the left and its point is even with left side of the needle (A). Note the height of the eye of the needle with respect to the looper point, then turn the handwheel in the reverse direction until the looper point again moves to the left and is even with the left side of the needle.

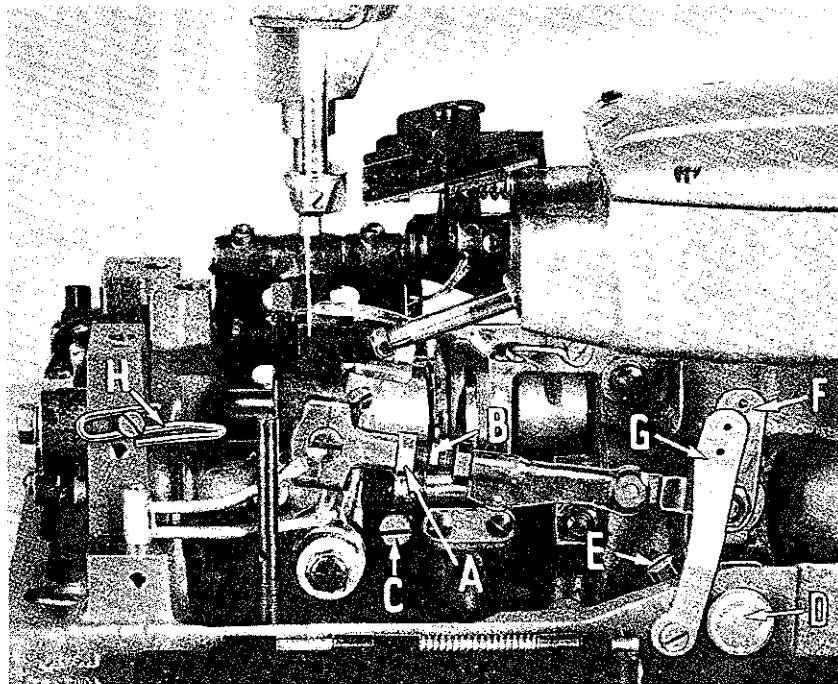


Fig. 4

## SYNCHRONIZING LOOPER AND NEEDLE MOTIONS (continued)

If the motions are synchronized, the height of the eye of the needle with respect to the looper point will be the same. A variation of .005 inch is allowable. If the distance from the eye of the needle to the point of the looper is longest when the pulley is turned in operating direction, move the looper drive lever shaft synchronizing stud (D, Fig. 4) to the rear. Moving it in opposite direction acts the reverse.

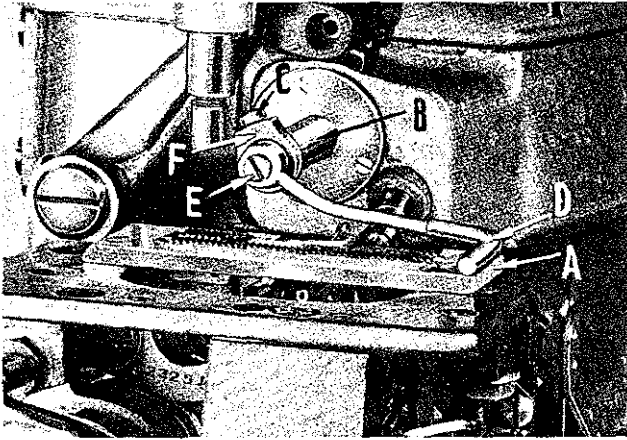


Fig. 5

drive lever rocker shaft and its synchronizing stud, retighten clamp screw (E).

Moving of the looper drive lever shaft synchronizing stud is accomplished as follows: Loosen clamp screw (E, Fig. 4) of looper drive lever.

To move stud to the rear (away from operator), a light tap with a small hammer, directly on the stud, is all that is required.

To move stud forward (toward operator), remove oil reservoir back cover and then a light tap on the looper drive lever rocker shaft, toward the operator, is all that is required.

Then, using the looper drive lever to take up the end play between the looper

## SETTING THE SPREADER

Mount throat plate (A, Fig. 5) on machine. Turn handwheel in operating direction until spreader bar (B) is in the extreme left position. Loosen collar screw (C) and insert spreader gauge 21227 BX (D) in spreader bar and line up the front edge of the spreader gauge with the front edge of the throat plate and tighten clamp screw (E). Move spreader holding block (F) in or out of spreader bar until the left edge of the spreader gauge is in line with the left edge of the throat plate. Tighten collar screw (C).

Remove gauge and insert the spreader. Rotate handwheel to be sure that spreader does not touch the lower looper or the needle at any time.

If spreader gauge is not available to set the spreader, turn the handwheel in the operating direction until the spreader bar (A, Fig. 6) is in the extreme left position. Set the spreader holder (B) in the spreader bar so the left end of the holder is  $\frac{7}{32}$  inch to the right of the center of the right hand needle (Fig. 6), and tighten collar screw (C). Looper gauge 21225- $\frac{7}{32}$  can be used for this setting. **DO NOT CHANGE THIS LATERAL SETTING OF THE HOLDER.**

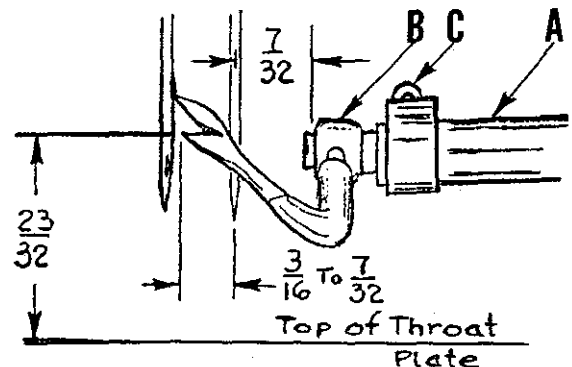


Fig. 6

**Preliminary Setting:** Position the holder so the hole is approximately  $45^\circ$  to the throat plate (Fig. 6A). Insert the spreader (A) in the holder so its shank extends NOT more than  $\frac{1}{64}$  inch beyond the holder (Fig. 6A).

## SETTING THE SPREADER (continued)

With the spreader in this position, rotate the spreader about its shank so the point closest to the operator is between  $\frac{3}{16}$  and  $\frac{7}{32}$  inch to the left of the center of the needle and approximately  $\frac{23}{32}$  inch above the throat plate (Fig. 6). Turn the handwheel in the operating direction and check clearance between the bottom point of the spreader and the lower looper. The spreader point should cross the top of the looper to the left as close as possible to the eye and to the back of the looper without touching it.

The spreader, in its travel, should NOT touch the lower looper or the needle at any time. Slight adjustments to the preliminary setting may be necessary to effect this clearance.

Adjustments: (1) Rotating the spreader holder clockwise will cause the spreader point to cross the lower looper farther to the left of the eye of the looper, increasing the clearance between the needle and the back of the spreader. (2) Pulling the spreader farther out of the holder increases the clearance between the needle and the back of the spreader, and reduces the clearance between the spreader point and the back of the looper. (3) With the spreader in the extreme left position, rotating the spreader counterclockwise about its shank decreases the clearance slightly between the needle and the back of the spreader and increases the clearance between the back of the looper and the point of the spreader.

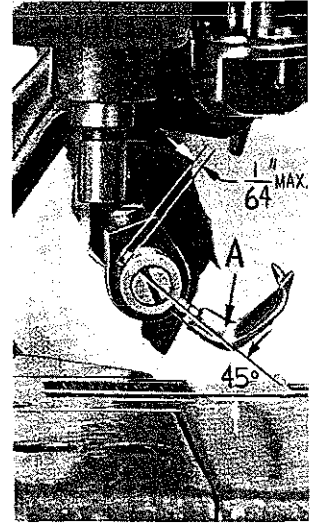


Fig. 6A

## SETTING THE FEED DOG

Set the feed dog (A, Fig. 7) in the throat plate (B) so there is equal clearance on all sides and that the tips of the teeth are parallel with and project  $\frac{3}{64}$  inch above the throat plate at high point of travel. Adjust the supporting screw (A, Fig. 8) under the feed dog to maintain this setting. Screw (C, Fig. 7) is used to

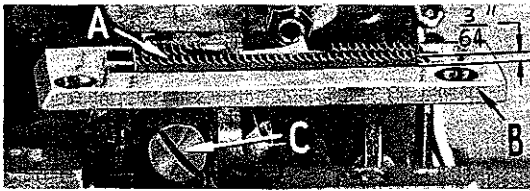


Fig. 7

hold feed dog in position.

If feed dog teeth are not parallel with the throat plate, loosen nut (B, Fig. 8) and turn screw (A, Fig. 9) clockwise to lower the front teeth, and counterclockwise to raise the front teeth. Retighten nut when feed dog is set properly.

Should it be necessary to move the feed dog to the left or right, loosen screws (A, Fig. 10) which hold the feed rocker (B) onto the feed rocker shaft (C), and move feed rocker to desired position and retighten screws. Make sure that the feed rocker arm (D) does not bind after making this adjustment.

Should it be necessary to move the feed dog forward or backward, loosen screws (E) which clamp the feed rocker arm to the feed rocker and move the feed rocker forward or backward as needed, and retighten screws.

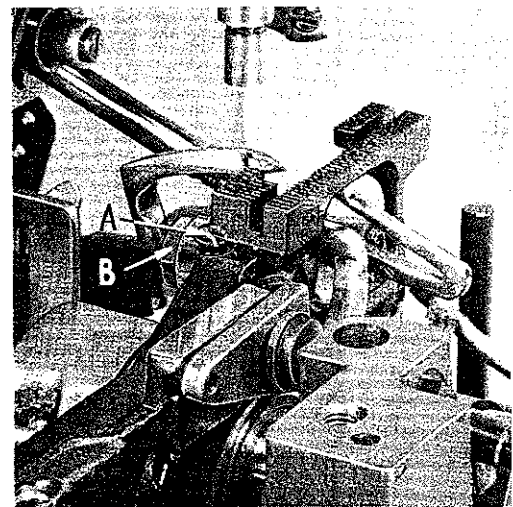


Fig. 8

## SETTING THE FEED DOG (continued)

With an average stitch length setting, equalize the travel of the feed dog so that at both ends of its travel, it is equidistant from the ends of the throat plate slot. Make this adjustment the same as described in paragraph 4.

### CHANGING STITCH LENGTH

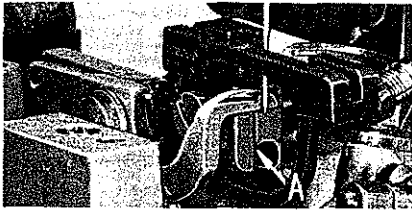


Fig. 9

Set the stitch to required length. This is accomplished by loosening the lock nut (F, Fig. 10) (it has a left hand thread) on the end of the stitch regulating stud and turning the stitch adjusting screw (G) located under the left end of the cloth plate in the head of the main shaft. Turning the screw clockwise shortens the stitch, and turning the screw counterclockwise lengthens the stitch.

Note: Any change in the stitch length will require a change in the rear needle guard setting.

### SETTING THE REAR NEEDLE GUARD

Set the needle guard (A, Fig. 11) horizontally so that it barely contacts the needle (B). It should be set as low as possible, yet have its vertical face remain in contact with the needle until the point of the looper (C), moving to the left, is even with the needle and the latter is ascending on the left side. To move needle guard forward or backward, merely loosen screw (D), move needle guard as required, and retighten screw. To raise or lower needle guard, loosen screw (D), and turn screw (E) clockwise to lower needle guard, and counterclockwise to raise needle guard. Retighten screw (D) after guard is set properly.

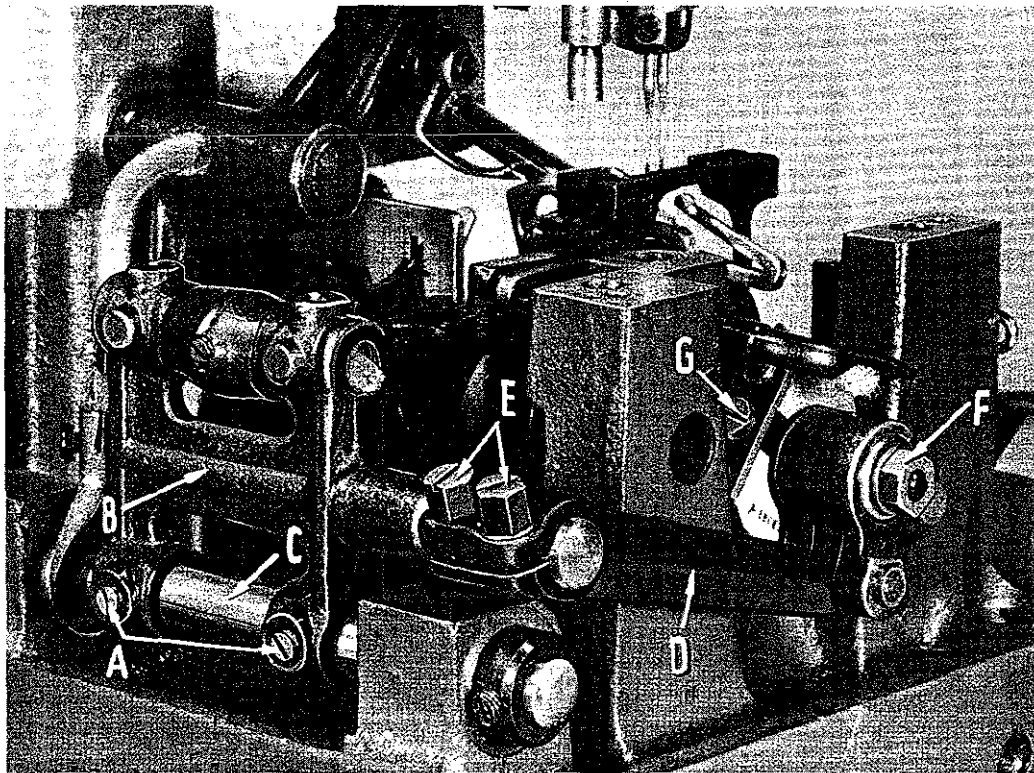


Fig. 10

## THREADING

Draw looper and needle threads into machine and start operating on a piece of fabric. Refer to threading diagram on Page 6, for manner of threading these machines.

### THREAD TENSIONS

The tension on the needle threads should be only sufficient to produce uniform stitches. The tension on the looper threads should be only sufficient to steady it. **KEEP TENSIONS LOW - THIS IS A MUST!**

### PRESSER FOOT PRESSURE

Regulate the presser spring regulating screw located directly behind the needle bar on the head of the machine so that it exerts only enough pressure on the presser foot to feed the work uniformly. See that the presser foot hinges freely and that it is in alignment with the throat plate.

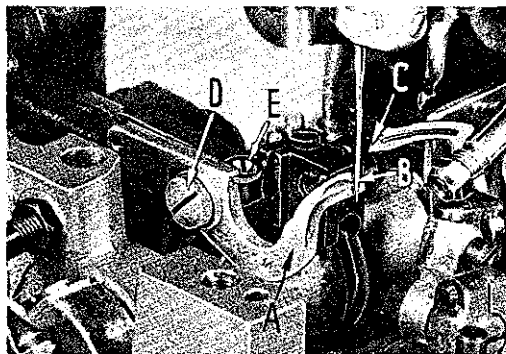


Fig. 11

### SETTING THE NEEDLE THREAD EYELETS

There are two frame needle thread eyelets that have to be set. The 401 stitch eyelet (X, Page 6) is set correctly when it is as high as possible and there is no thread pulled through the thread tension (Y) as the needle descends. The 503 stitch eyelet (Z), which is facing downward, is used in setting the position of the purl. Raising the eyelet causes less thread to be drawn and moves the purl toward the underside of the cloth. Lowering the eyelet allows more thread to be drawn and thus causes the purl to move toward the top of the material being sewn.

### SETTING THE LOOPER THREAD TAKE-UP AND EYELETS

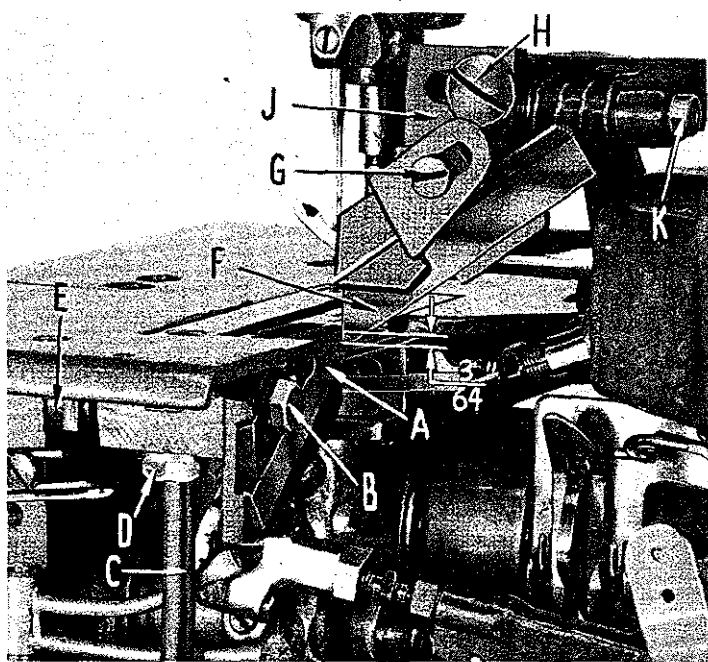


Fig. 12

The 503 looper thread take-up (F, Fig. 4) should be positioned approximately on the center line of the looper drive lever as per Fig. 4. Eyelets (G, and H, Fig. 4) are positioned correctly when the lower looper thread is taut as the spreader reaches the left end of its travel.

Note: Only about 1/3 of the looper thread required to form a stitch is drawn through the tension during the travel toward the left end. No thread should be pulled through the thread tension as the spreader reaches the extreme left of its stroke.

To control the ratio of thread pulled during the leftward movement, use the thread take-up eyelet (G, Fig. 4).

## SETTING THE LOOPER THREAD TAKE-UP AND EYELETS (continued)

Moving this eyelet to the left causes more looper thread to be drawn on the left hand stroke of the spreader, and moving it to the right causes less looper thread to be drawn. Moving this eyelet to the right or left also affects the drawing of the looper thread at the extreme left position. To readjust for this condition, move the eyelet (H, Fig. 4) to the right to reduce the thread drawn or to the left to reduce the amount of slack. The two eyelets (F and G) are to be adjusted in conjunction with each other so that the following conditions are met: (1)  $1/3$  of the looper thread is drawn during the left stroke of spreader, and (2) No looper thread is drawn at the extreme end of stroke.

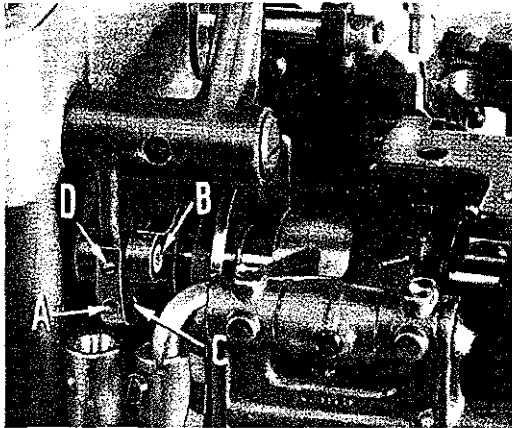


Fig. 13

height, tighten screw (B). To move the lower knife either to the left or to the right, loosen nut on the bottom of support rod (C), turn rod in a clockwise direction until it clears knife holder block screw (D), and then loosen the screw. Turn screw (E) in a clockwise direction to move knife to the left or in a counterclockwise direction to move it to the right. Once the knife has been set to the required trimming line, tighten screw (D), turn support rod (C) counterclockwise until it stops against screw (D) and then tighten nut on the bottom of the support rod.

## SETTING THE UPPER KNIFE

Turn the handwheel in operating direction until the upper knife arm is in its lowest position. The cutting edge of the upper knife (F, Fig. 12) should overlap the cutting edge of the lower knife by about  $1/64$  inch. Loosen clamp screw (G) to adjust upper knife. Move knife to the left to lower it or to the right to raise it. Tighten clamp screw. To set the spring tension on the upper knife, loosen screw (H), move knife holder block (J) to the left, and while holding it in this position, push knife guide collar shaft (K) to the right to increase spring tension on upper knife and tighten screw (H). Turn handwheel in operating direction until the upper knife is at its highest point of travel, and at this point, the pilot of the upper knife should overlap the lower knife about  $3/64$  inch (Fig. 12).

Note: Never let the cutting edge of the upper knife descend more than  $1/64$  inch below the cutting edge of the lower knife, as it will damage the front cover. Also, never let the pilot of the upper knife move past the cutting edge of the lower knife on its upward travel. If this should happen, a new setting of the upper knife must be made.

The correct angle of the knife cutting edges can be maintained only by resharpening them in a special knife grinder No. 52998 N, which can be furnished at an extra charge.

## SETTING THE LOWER KNIFE

The lower knife (A, Fig. 12) should be set so that its cutting edge is even with the top surface of the throat plate. Use a steel scale to get a parallel setting and when knife is at the right

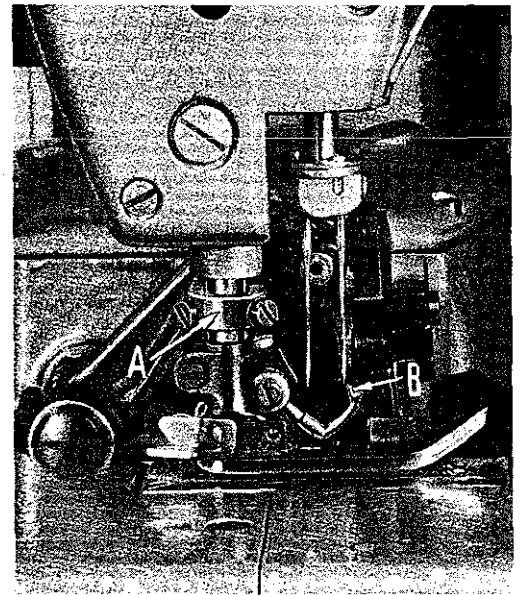


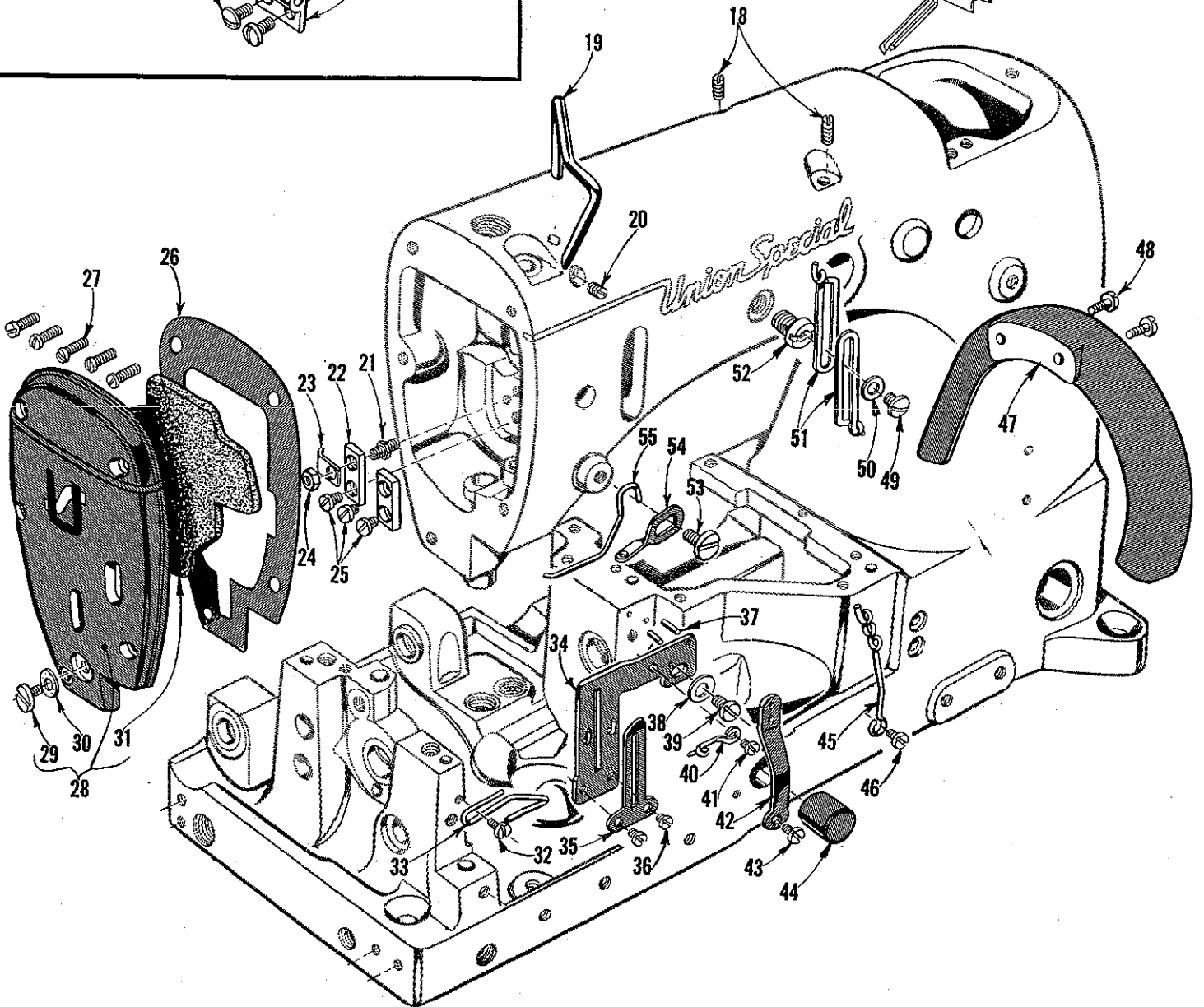
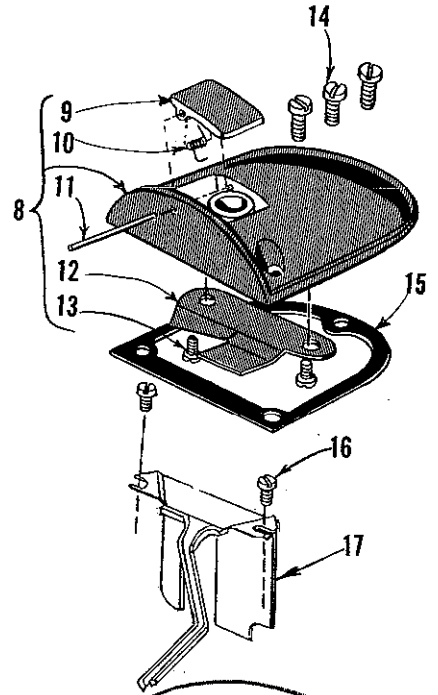
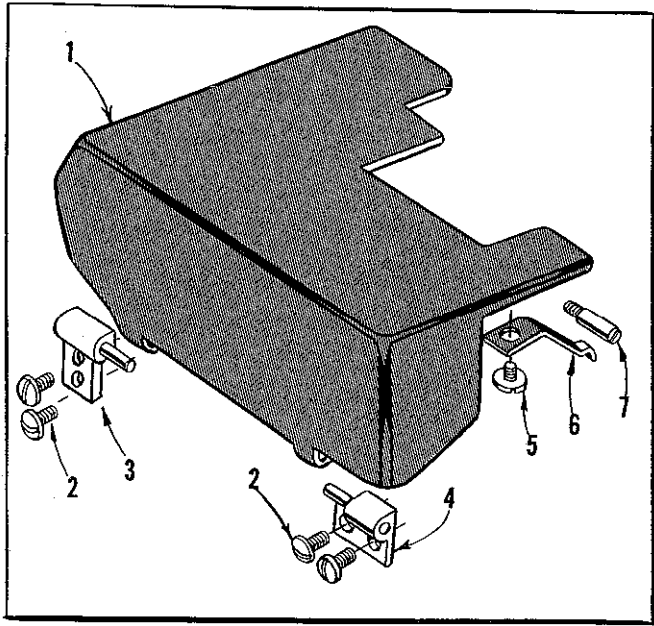
Fig. 14

## SETTING THE UPPER KNIFE (continued)

The upper knife is adjustable for either a high or low knife lift. All standard machines are sent from the factory as low knife lift machines. To change the machines to a high knife lift, loosen screw (A, Fig. 13) and then remove link pin (B) from the bottom hole (C) to top hole and tighten screw (D). When this setting is changed, readjustment of upper knife will have to be made, as described earlier.

## SETTING PRESSER BAR STOP COLLAR

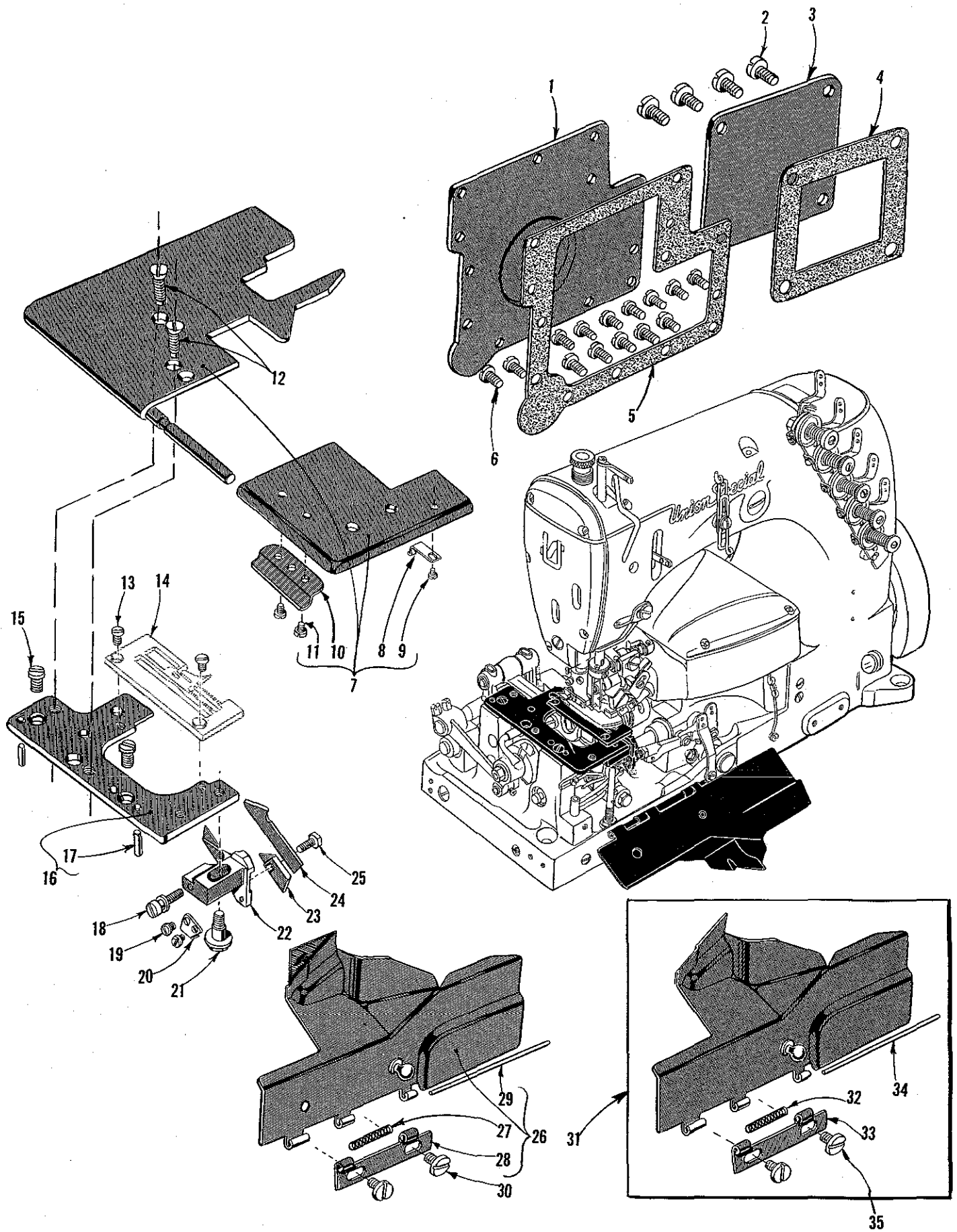
Set the presser bar stop collar (A, Fig. 14) so the presser foot cannot be raised or tilted into the path of the spreader (B).





MAIN FRAME, CAST-OFF PLATE AND MISCELLANEOUS COVERS

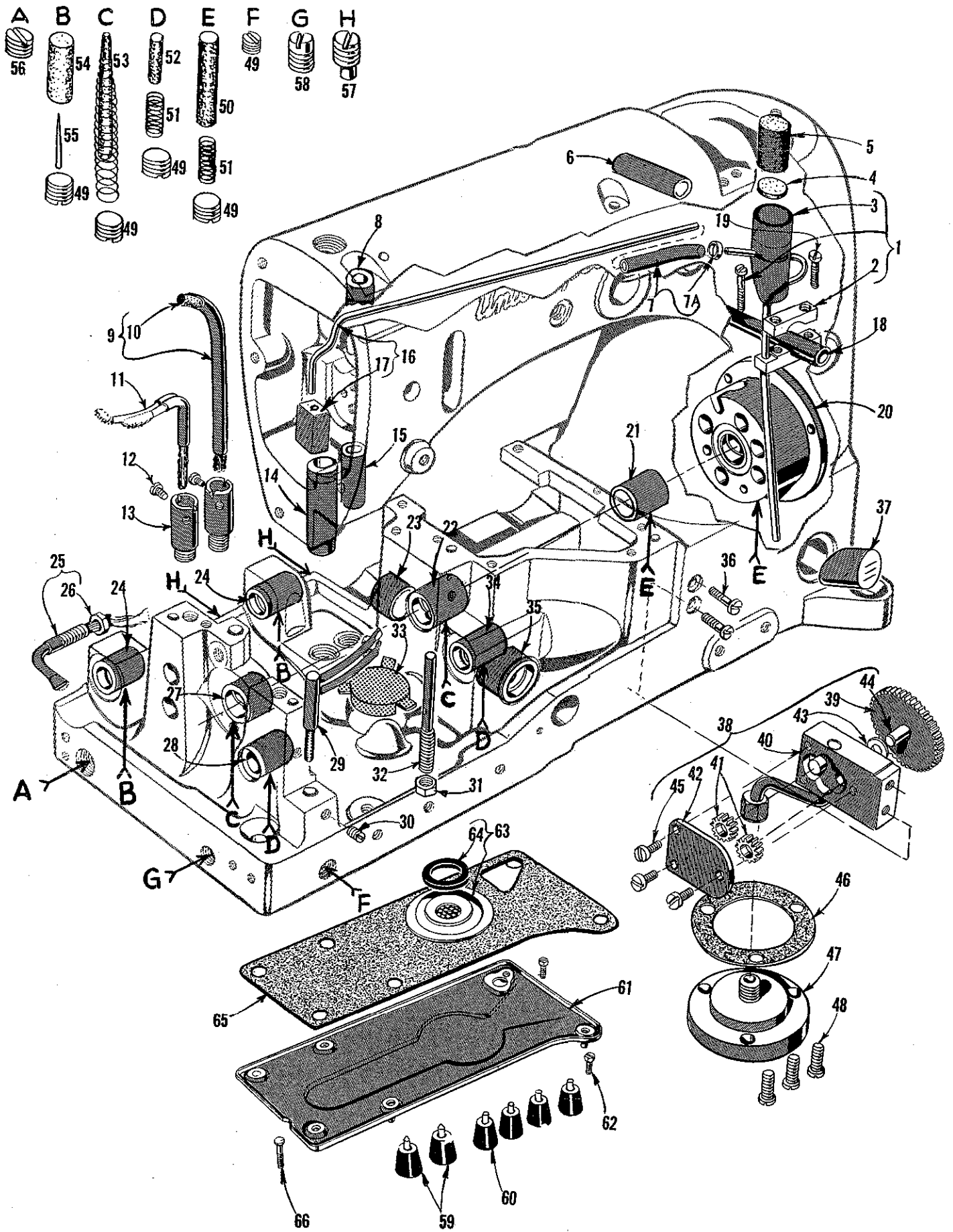
<u>Ref No.</u>	<u>Part No.</u>	<u>Description</u>	<u>Amt. Req.</u>
1	52385	Combination End Cover and Cloth Plate, for Styles 52300 D, F -----	1
2	22848	Screw-----	4
3	57885 B	End Cover Hinge, rear -----	1
4	57885	End Cover Hinge, front-----	1
5	22711	Screw-----	1
6	52885 L	End Cover Spring -----	1
7	22799 M	Screw-----	1
8	52882 AD	Crank Chamber Cover -----	1
9	39582 L	Oil Cap -----	1
10	52882 AC	Oil Cap Torsion Spring -----	1
11	50-789 Blk.	Oil Cap Hinge Pin -----	1
12	52882 AA	Drip Plate-----	1
13	90	Screw-----	2
14	22541 B	Screw-----	3
15	52882 P	Gasket -----	1
16	90	Screw-----	2
17	56382 AC	Needle Lever Bearing Oiler Assembly -----	1
18	719	Screw -----	2
19	51270 B	Needle Thread Take-up Wire -----	1
20	95	Screw -----	1
21	51294 R	Screw -----	1
22	35731 A	Presser Bar Connection Guide Plate -----	2
23	51294 P	Oil Tube Clamp-----	1
24	7947	Nut-----	1
25	22513	Screw -----	3
26	51282 Z	Gasket -----	1
27	22569 B	Screw -----	5
28	51282 Y	Head Cover -----	1
29	22542	Screw -----	1
30	52882 W	Washer -----	1
31	51282 AC	Sound Insulator, felt -----	1
32	98 A	Screw -----	1
33	52358 D	Looper Thread Eyelet, left -----	1
34	52357 A	Cast-off Support Plate -----	1
35	52804 A	Cast-off Plate -----	1
36	28	Screw -----	2
37	50-216 Blk.	Pin -----	2
38	21657 E	Washer -----	1
39	22528	Screw -----	1
40	52 A	Eyelet -----	1
41	87 U	Screw -----	1
42	52358 C	Looper Thread Eyelet, right -----	1
43	98 A	Screw -----	1
44	52942 Y	Looper Drive Lever Shaft Synchronizing Stud -----	1
45	52958 G	Frame Thread Eyelet -----	1
46	98 A	Screw -----	1
47	BB21375 AH	Belt Guard -----	1
48	93	Screw -----	2
49	22848	Screw -----	1
50	20	Washer -----	1
51	539	Frame Thread Eyelet -----	2
52	22889 A	Adaptor Plug Screw -----	1
53	22517 B	Screw -----	1
54	52358 A	Needle Thread Guide -----	1
55	52358 E	Needle Thread Wire -----	1



CLOTH PLATE, MISCELLANEOUS COVERS AND LOWER KNIFE PARTS

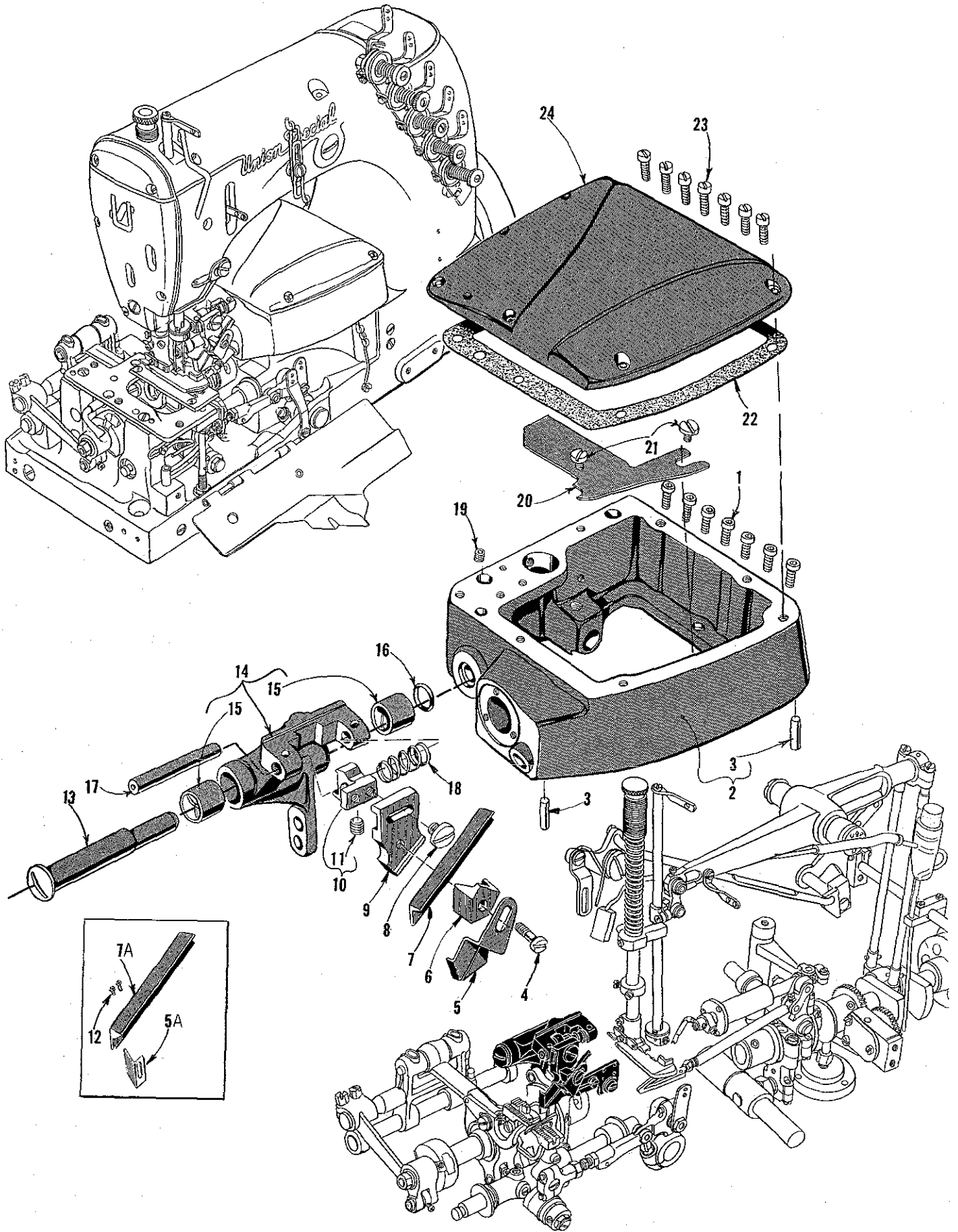
<u>Ref. No.</u>	<u>Part No.</u>	<u>Description</u>	<u>Amt. Req.</u>
1	52382	Oil Reservoir Back Cover -----	1
2	22548	Screw-----	4
3	52882 AE	Crank Chamber Cover -----	1
4	52882 U	Gasket-----	1
5	52382 A	Gasket-----	1
6	376 A	Screw-----	14
7	52301	Cloth Plate, for Styles 52300 B, E-----	1
8	52381 C	Latch Spring-----	1
9	604	Screw-----	1
10	52381 B	Hinge Bar Clamp-----	1
11	28	Screw-----	2
12	80	Screw-----	2
13	87	Screw-----	2
14		Throat Plate (See Page 35)-----	1
*15	22839	Screw-----	2
16	52380 B	Throat Plate Support -----	1
17	51280 J	Dowel Pin-----	2
18	22568	Screw-----	1
19	25 B	Screw-----	2
20	52378 C	Chip Guard Latch Spring-----	1
21	35766	Screw-----	1
22	52350 B	Lower Knife Holder -----	1
23	52350 A	Lower Knife Clamp Plate -----	1
24	52349	Lower Knife-----	1
25	22588 A	Screw-----	1
26	52378 E	Chip Guard, for Styles 52300 E, F-----	1
27	39158 U	Spring-----	1
28	39158 G	Front Cover Hinge -----	1
29	51278 G	Hinge Pin-----	1
30	25 S	Screw-----	2
31	52378 D	Chip Guard, for Styles 52300 B, D-----	1
32	39158 U	Spring-----	1
33	39158 G	Front Cover Hinge -----	1
34	51278 G	Hinge Pin-----	1
35	25 S	Screw-----	2

\* NOTE: Use countersunk head screw No. 80 for old Style 52380 B.



MAIN FRAME, BUSHINGS AND MISCELLANEOUS OILING PARTS

<u>Ref. No.</u>	<u>Part No.</u>	<u>Description</u>	<u>Amt. Req.</u>
1	51294 U	Oil Siphon Assembly -----	1
2	51294 K	Clamp, upper -----	1
3	22729 B	Screw -----	1
4	666-209	Siphon Cup Disc Felt -----	1
5	666-201	Felt Plug -----	1
6	52883 R	Presser Foot Lifter Lever Bushing -----	1
7	51294 Z	Oil Tube Connection -----	1
7A	21212	Oil Siphon Connection Locking Ring -----	1
8	51254 C	Needle Bar Bushing, upper -----	1
9	52393 J	Oil Tube, for knife drive eccentric -----	1
10	666-208	Oil Wick -----	1
11	52994 AC	Oil Tube, for feed lift and looper avoid eccentric -----	1
12	90	Screw -----	2
13	52894 AB	Oil Tube Holder -----	2
14	51257 AA	Presser Bar Bushing, lower -----	1
15	51254 D	Needle Bar Bushing, lower -----	1
16	51294 M	Oil Siphon Tube -----	1
17	666-214	Felt Lint Filter -----	1
18	21657 X	Tension Release Shaft Bushing -----	1
19	22729 A	Screw -----	1
20	52891 B	Crankshaft Bushing Housing, including bushing -----	1
21	52390	Main Shaft Bushing, inner right -----	1
22	51290 T	Main Shaft Bushing, middle -----	1
23	52942 X	Looper Drive Lever Shaft Bushing, rear -----	1
24	52936	Feed Rocker Shaft Bushing -----	2
25	660-136	Oil Tube, for feed crank link -----	1
26	258 A	Nut -----	1
27	52890 C	Main Shaft Bushing, left -----	1
28	52944 T	Looper Rocker Shaft Bushing, left -----	1
29	52894 AK	Oil Tube, for looper rocker and left ball joint -----	1
30	22560 B	Screw -----	1
31	258	Nut -----	1
32	51280 E	Lower Knife Support Bed Pin -----	1
33	51493 BK	Lint Filter Screen -----	1
34	52944 U	Looper Rocker Shaft Bushing, right -----	1
35	52942 W	Looper Drive Lever Shaft Bushing, front -----	1
36	22596	Screw, for oil pump assembly -----	2
37	50-648 Blk.	Lucite Oil Gauge -----	1
38	52393	Oil Pump Assembly -----	1
39	52393 K	Oil Pump Driven Gear -----	1
40	52393 A	Oil Pump Housing -----	1
41	51493 E	Driving Shaft Gear -----	2
42	52393 D	Oil Pump Cover -----	1
43	61341 J	Washer -----	1
44	52393 L	Oil Pump Gear Stud -----	1
45	22585	Screw -----	3
46	643-127 Blk.	Gasket -----	1
47	52393 H	Oil Pump Intake Housing -----	1
48	22569 B	Screw -----	3
49	22571 A	Plug Screw -----	15
50	666-114	Oil Wick, for right main shaft bearing -----	2
51	35178 D	Spring -----	4
52	666-65	Oil Wick, for looper rocker shaft bearing -----	2
53	666-118	Oil Wick, for left main shaft bearing -----	2
54	666-111	Oil Wick, for feed rocker shaft bearing -----	2
55	666-179	Wedge Pin -----	2
56	22539 H	Plug Screw -----	1
57	22889 C	Plug Screw -----	2
58	22889 D	Plug Screw -----	1
59	51295 B	Mounting Isolator -----	2
60	39595	Mounting Isolator -----	4
61	51493 AZ	Oil Pan Base Plate -----	1
62	22823 A	Screw -----	2
63	51493 BH	Filter Cap Assembly -----	1
64	51493 BJ	Washer, sponge rubber -----	1
65	51493 BG	Base Plate Felt Pad -----	1
66	22823 B	Screw -----	1



UPPER KNIFE DRIVING PARTS AND RESERVOIR COVER

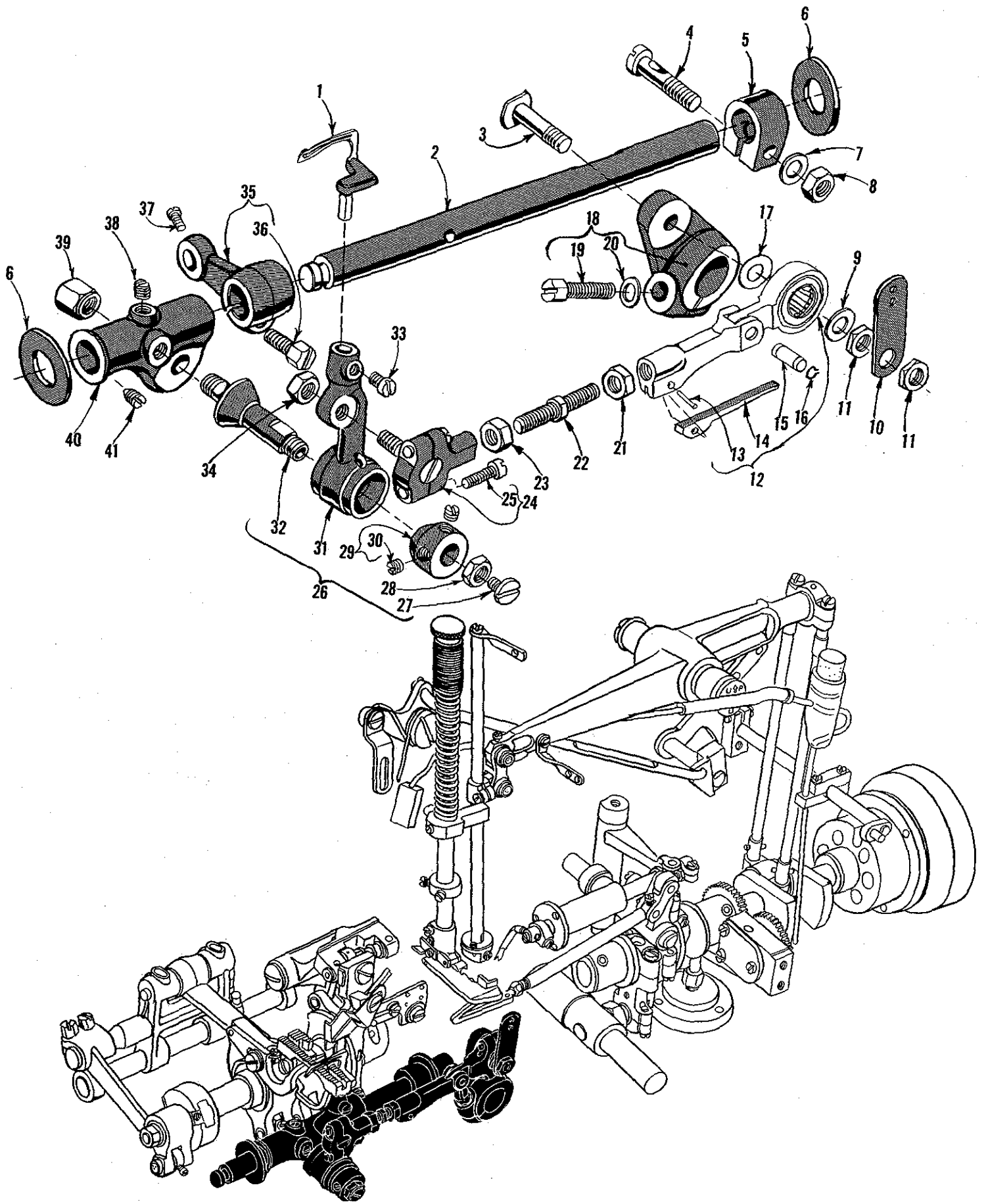
<u>Ref. No.</u>	<u>Part No.</u>	<u>Description</u>	<u>Amt. Req.</u>
1	22729 L	Screw-----	7
2	52345	Looper Drive Mechanism Housing-----	1
3	667 C-8	Dowel Pin-----	2
†4	22595	Screw, for styles 52300 B, 52300 D, all Gauges-----	1
5	52371 A	Upper Knife Chain Guard, for Styles 52300 B, 52300 D, all gauges-----	1
†5A	51472 A	Upper Knife Chain Guard, for Styles 52300 E, 52300 F, all gauges-----	1
†6	51472 B	Upper Knife Clamp, for Styles 52300 B, 52300 D, all gauges-----	1
7	52970 E	Upper Knife, for Styles 52300 B, 52300 D, all gauges--	1
†7A	52370 A	Upper Knife, for Styles 52300 E, 52300 F, all gauges--	1
†8	22711	Screw, for Styles 52300 B, 52300 D, all gauges-----	1
†9	52372	Upper Knife Holder Block, for Styles 52300 B, 52300 D, all gauges-----	1
†10	52372 A	Knife Holder Block Guide Collar, for Styles 52300 B, 52300 D all gauges-----	1
11	22894 C	Screw-----	1
†12	22798	Screw, for No. 51472 A-----	2
13	52373 B	Knife Rocker Bearing Stud-----	1
†14	52373 C	Knife Rocker, for Styles 52300 B, 52300 D, all gauges-	1
15	52373 A	Bushing-----	2
16	660-206	Oil Seal Ring-----	1
†17	51272 C	Block Guide Collar Shaft, for Styles 52300 B, 52300 D, all Styles-----	1
†18	51272 D	Block Guide Collar Shaft Spring, for Styles 52300 B, 52300 D, all gauges-----	1
*19	22894 J	Screw, .214-32 thread - 5/16 inch long-----	2
20	52394 C	Looper Drive Lever Oil Shield-----	1
21	22585 C	Screw-----	2
22	52345 B	Gasket-----	1
23	97	Screw-----	8
24	52345 A	Looper Drive Mechanism Housing Top Cover-----	1

Below are the straight knife parts used for new Style 52300 E and 52300 F, and are not shown on picture plate.

39171 N	Knife Guide Collar-----	1
77	Screw-----	1
39173	Knife Guide Spring-----	1
39270 K	Upper Knife-----	1
52371 B	Upper Knife Holder-----	1
906	Screw-----	1
52373 E	Upper Knife Rocker-----	1
52373 D	Knife Bar Guide-----	1
52373 A	Bushing-----	1

\* For use on all new style machines , No. 22894 P used on all old style machines.

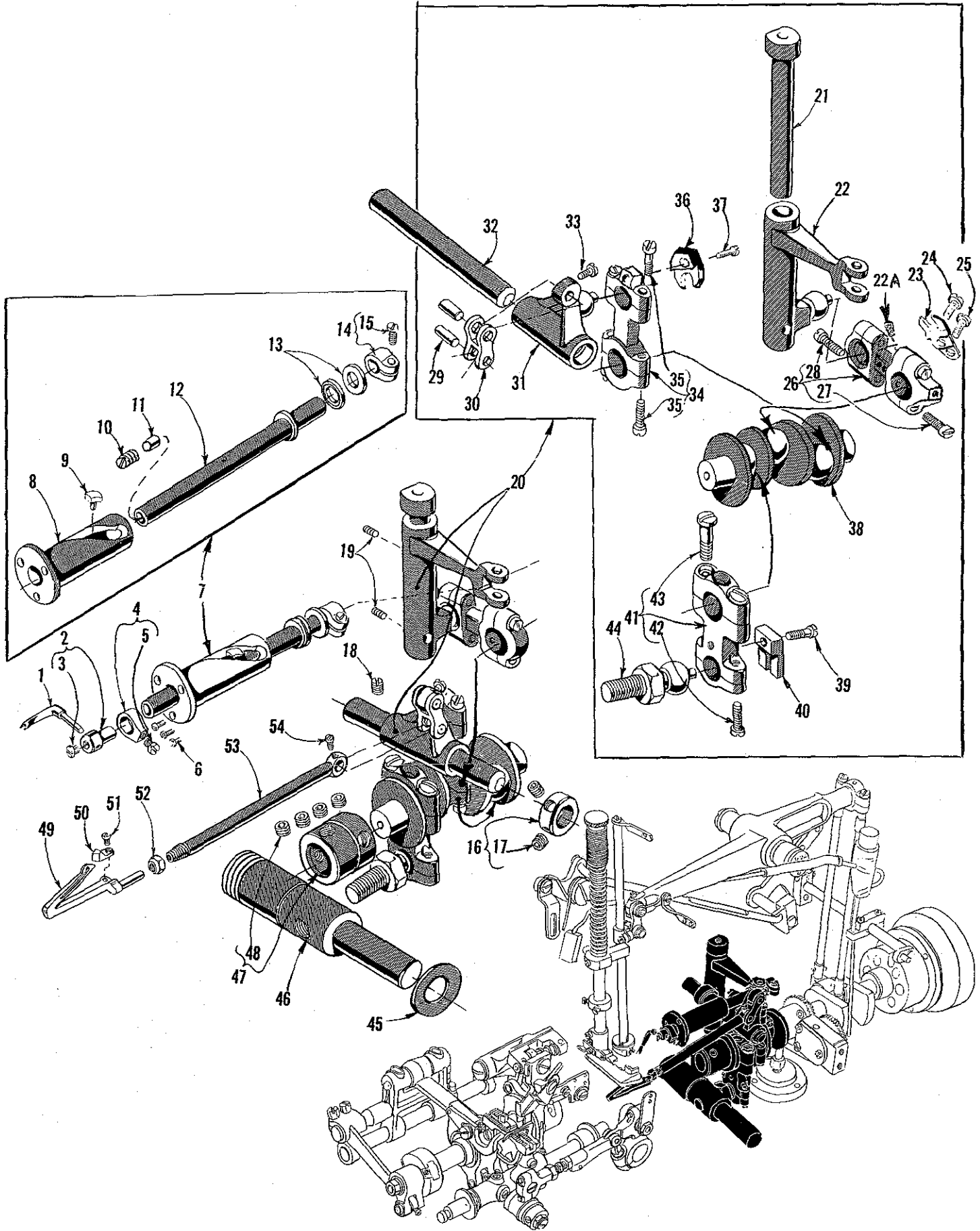
† For use as indicated and also for use on old Style 52300 E and F.





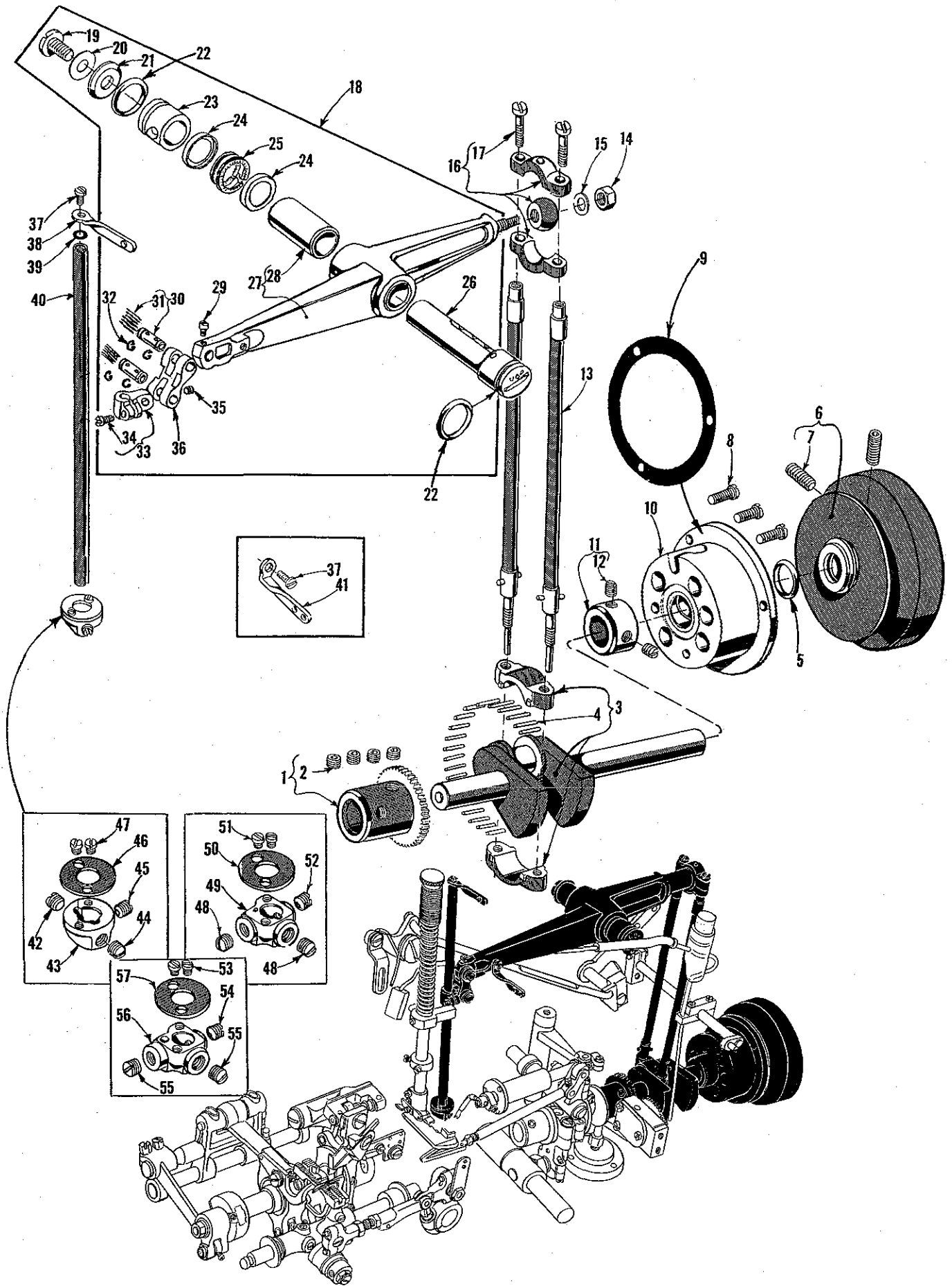
LOOPER ROCKER AND CONNECTING ROD PARTS

<u>Ref. No.</u>	<u>Part No.</u>	<u>Description</u>	<u>Amt. Req.</u>
1	52308	Looper, for 401 stitch -----	1
2	51144	Looper Rocker Shaft -----	1
3	52942 R	Looper Lever Stud -----	1
4	55244 G	Looper Shaft Collar Stud -----	1
5	51244 N	Looper Rocker Shaft Clamp Collar -----	1
6	51244 L	Thrust Washer -----	2
7	51216 N	Washer -----	1
8	18	Nut -----	1
9	20	Washer -----	1
10	52344 H	Take-up Lever, for looper thread -----	1
11	15037 A	Nut -----	2
12	56341 M	Looper Connecting Rod Section and Ball Joint Assembly, right -----	1
13	50-458 Blk.	Pin -----	1
14	56341 G	Spring -----	1
15	56341 E	Hinge Pin -----	1
16	660-310	Truarc Ring -----	2
17	41355 U-4	Shim, .004 inch thick ----- (as required)	
	41355 U-5	Shim, .005 inch thick ----- (as required)	
	41355 U-6	Shim, .006 inch thick ----- (as required)	
	41355 U-7	Shim, .007 inch thick ----- (as required)	
	41377 U-8	Shim, .008 inch thick ----- (as required)	
	41355 U-9	Shim, .009 inch thick ----- (as required)	
18	52942 P	Looper Drive Lever -----	1
19	22882 A	Screw -----	1
20	51242 M	Washer -----	1
21	18	Nut, right thread -----	1
22	51240 D	Looper Connecting Rod -----	1
23	269	Nut, left thread -----	1
24	55241 N	Looper Connecting Rod Ball Joint, left -----	1
25	22729 C	Screw -----	2
26	29192	Looper Rocker Assembly -----	1
27	22829	Lock Nut Screw -----	1
28	258 A	Lock Nut -----	1
29	15465 F	Looper Rocker Cone -----	1
30	88	Screw -----	2
31	51213	Looper Rocker -----	1
32	51745	Looper Rocker Cone Stud -----	1
33	73	Screw -----	1
34	18	Nut -----	1
35	51244 B	Looper Rocker Shaft Arm -----	1
36	22519 H	Screw -----	1
37	22768	Screw -----	1
38	98	Screw -----	1
39	51246	Looper Rocker Stud Nut -----	1
40	51244	Looper Rocker Frame -----	1
41	96	Spot Screw -----	1



LOOPER (503) STITCH) AND SPREADER DRIVE MECHANISM

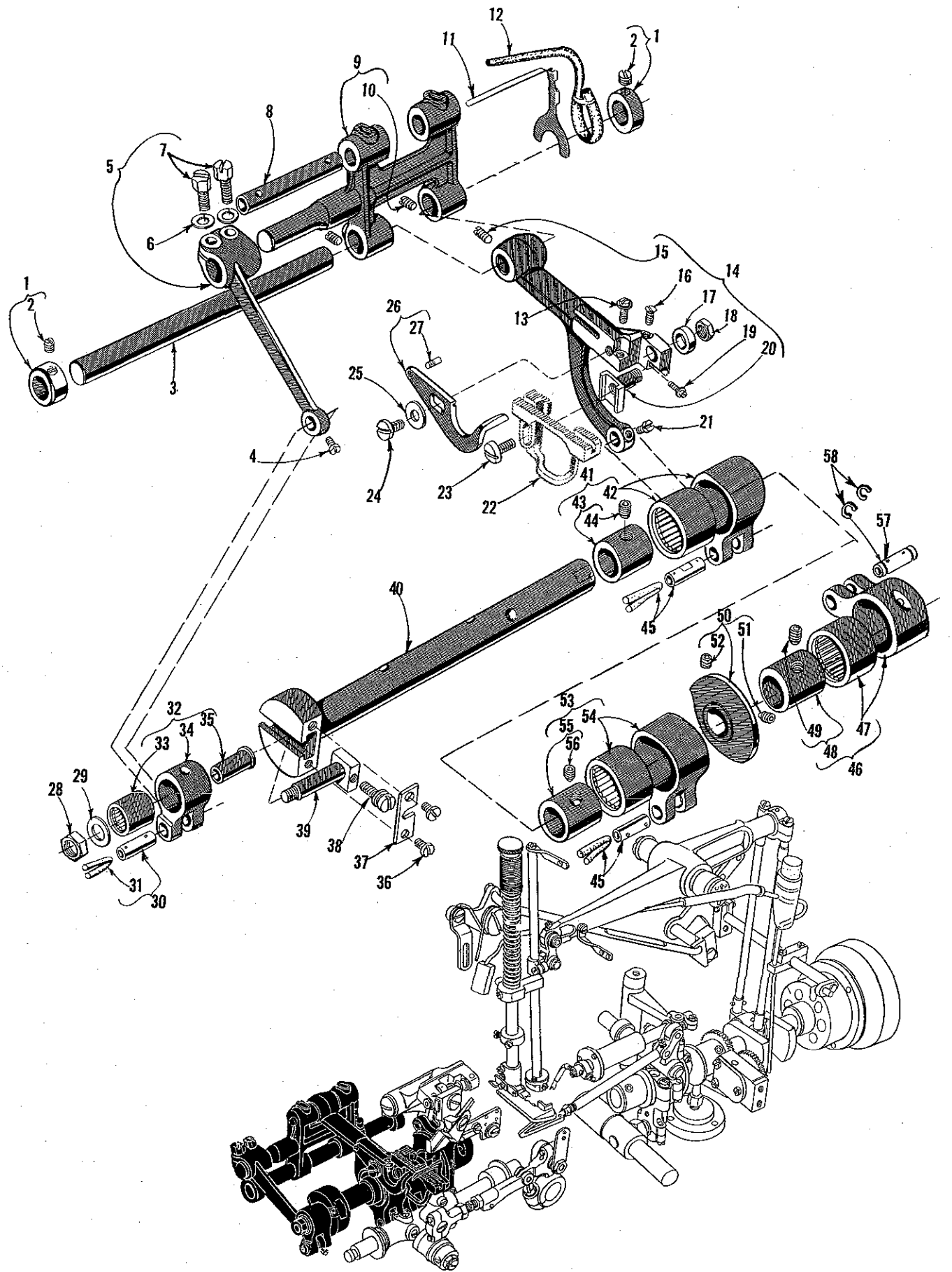
<u>Ref. No.</u>	<u>Part No.</u>	<u>Description</u>	<u>Amt. Req.</u>
1	52360	Spreader, for 503 stitch-----	1
2	39543	Spreader Holder-----	1
3	22564 G	Screw-----	1
4	39543 A	Spreader Holder Collar -----	1
5	22 KH	Screw -----	1
6	22738	Screw -----	3
7	29476 KF	Spreader Motion Sub-Assembly -----	1
8	52346 A	Spreader Bar Bushing and Cam Guide -----	1
9	39543 T	Cam Follower -----	1
10	22503	Screw-----	1
11	39543 E	Cam Follower Locking Clamp -----	1
12	52346	Spreader Bar -----	1
13	39543 P	Thrust Washer -----	2
14	39543 M	Clamp Collar -----	1
15	22562 A	Screw-----	1
16	482 C	Looper Shaft Collar-----	1
17	22894 C	Screw-----	2
18	95	Screw -----	1
19	22560 B	Screw -----	2
20	29476 LG	Looper Drive Crank Assembly -----	1
21	52346 C	Spreader Rocker Shaft -----	1
22	52346 D	Spreader Drive Lever -----	1
22 A	666-255	Felt Plug-----	1
23	39544 J	Guide Fork, Spreader for 503 stitch-----	1
24	22585	Screw-----	1
25	22585 A	Screw-----	1
26	39544 N	Spreader Bar Drive Lever Connecting Rod -----	1
27	22729 E	Screw-----	2
28	22729 D	Screw-----	2
29	39544 D	Link Pin-----	2
30	39544 B	Link -----	1
31	52344 E	Lower Looper Drive Lever, 503 stitch -----	1
32	52344 D	Rock Shaft-----	1
33	J87 J	Screw-----	1
34	52344 F	Looper Bar Driving Lever Connecting Rod -----	1
35	22729 D	Screw-----	4
36	41255 BA	Guide Fork, Looper -----	1
37	J87 J	Screw-----	1
38	52343 D	Looper Drive Crank -----	1
39	22729	Screw-----	1
40	51243 C	Ball Stud Fork -----	1
41	52943 N	Looper Lever Crank Bearing -----	1
42	22729 D	Screw-----	2
43	22587	Screw-----	2
44	52943 P	Ball Stud -----	1
45	52951 C	Spacer Washer -----	1
46	52942 A	Looper Drive Lever Rocker Shaft -----	1
47	56343 D	Looper Drive Crank Connection, left -----	1
48	22894 X	Screw-----	4
49	52308 B	Looper, for 503 stitch -----	1
50	52310	Looper Needle Guard -----	1
51	22738 B	Screw -----	1
52	39151	Nut -----	1
53	52344	Lower Looper Bar-----	1
54	77	Screw -----	1



CRANKSHAFT, NEEDLE LEVER, NEEDLE BAR AND NEEDLE HEADS

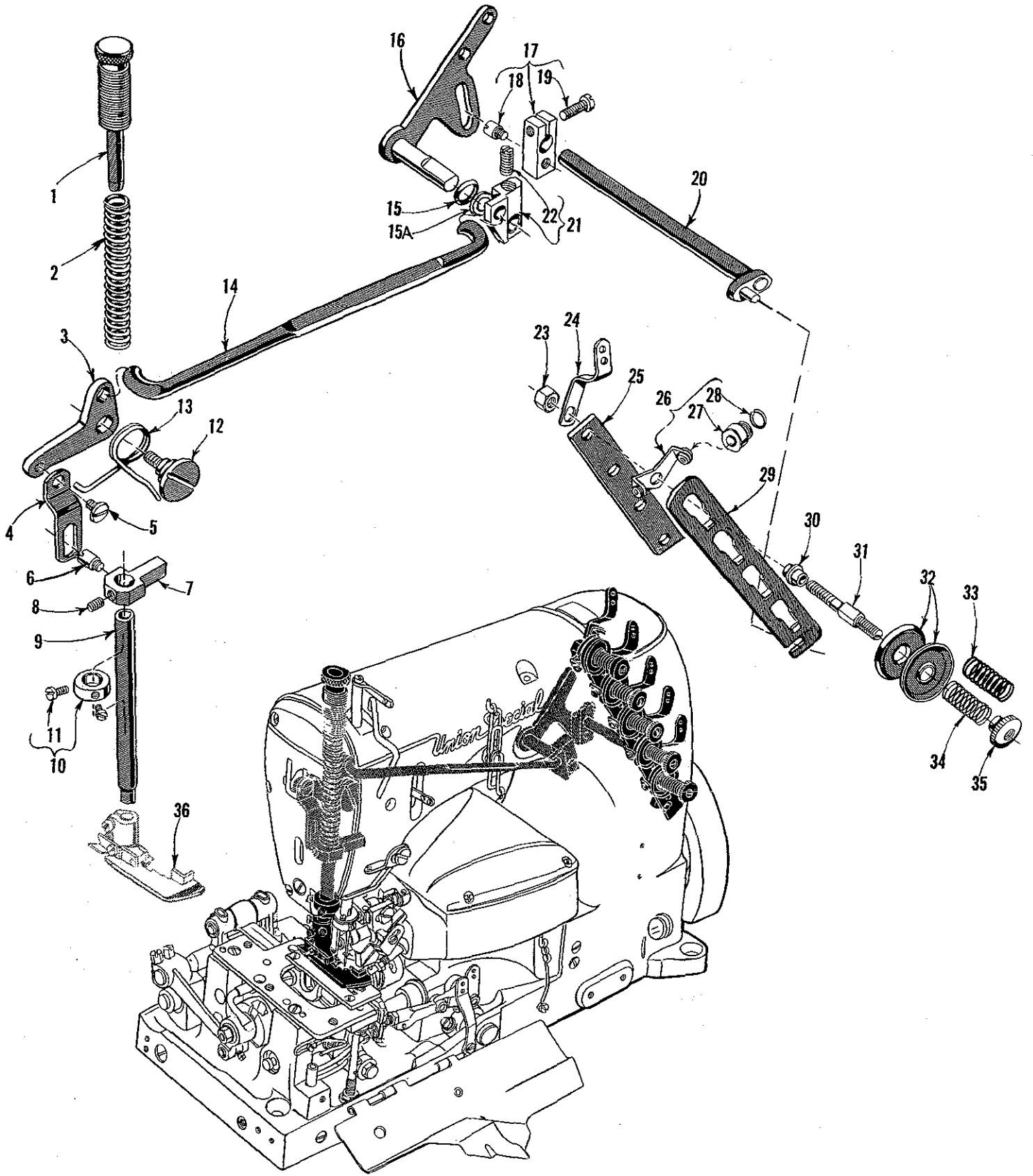
<u>Ref. No.</u>	<u>Part No.</u>	<u>Description</u>	<u>Amt. Req.</u>
1	52343 C	Main Shaft Coupling and Oil Pump Driving Gear -----	1
2	22894 X	Screw -----	4
3	29476 KB	Crankshaft Assembly, .910 inch throw -----	1
4	51216 M	Needle Bearing -----	28
5	660-202	Oil Seal Ring -----	1
6	52921 B	Pulley -----	1
7	22894 G	Screw -----	2
8	22569 B	Screw -----	3
9	56390 E	Gasket, for crankshaft bearing housing -----	1
10	52891 B	Crankshaft Bushing Housing, including bushing -----	1
11	51147	Main Shaft Collar -----	1
12	95	Screw -----	2
13	51216 G	Needle Lever Connecting Rod -----	2
14	51216 P	Nut -----	1
15	51216 N	Washer -----	1
16	29066 R	Needle Lever Connecting Rod and Upper Bearing Assembly -----	1
17	22559 G	Screw -----	2
18	29348 AF	Needle Lever Assembly -----	1
19	22586 R	Screw -----	1
20	51250 F	Gasket -----	1
21	51250 D	Washer -----	1
*22	660-212	Oil Seal Ring -----	2
23	56350 E	Needle Lever Collar -----	1
24	56350 F	Thrust Washer -----	2
25	660-614	Temper Load Ring -----	1
26	56350 D	Needle Lever Stud -----	1
27	56315 A	Needle Lever -----	1
28	56350 G	Bushing -----	1
29	77	Screw -----	1
30	52336 A	Connection Pin -----	2
31	WO-3	Wool Yarn (6 Strands) -----	
32	660-215	Retaining Ring -----	4
33	51254 K	Needle Bar Connection -----	1
34	22562 A	Screw -----	1
35	22564	Screw -----	1
36	56354 D	Connecting Link -----	1
37	22768	Screw -----	2
38	56358	Needle Bar Thread Eyelet -----	1
39	27-435 Blk.	Needle Bar Eyelet Washer -----	1
40	52317	Needle Bar -----	1
41	56458	Needle Lever Thread Eyelet -----	1
42	88	Screw -----	1
43	52318 C-5-1/8	Needle Holder, for Styles 52300 B-5-1/8, D-5-1/8, E-5-1/8 and F-5-1/8 -----	1
44	22565 C	Screw -----	1
45	89	Screw -----	1
46	52318 B	Needle Stop Plate -----	1
47	22784	Screw -----	2
48	88	Screw -----	2
49	52318 A-12-3/16	Needle Holder, for Styles 52300 B-12-1/8, D-12-1/8, B-12-3/16, D-12-3/16, E-12-3/16 and F-12-3/16 -----	1
50	52318 B	Needle Stop Plate -----	1
51	22784	Screw -----	2
52	89	Screw -----	1
53	22784	Screw -----	2
54	89	Screw -----	1
55	22565 C	Screw -----	2
56	52318 C-8-1/8	Needle Holder, for Styles 52300 B-8-1/8, D-8-1/8, E-8-1/8 and F-8-1/8 -----	1
57	52318 B	Needle Stop Plate -----	1

\* Note: Detail No. 22 is not part of assembly No. 29348 AF.



MAIN SHAFT AND FEED MECHANISM

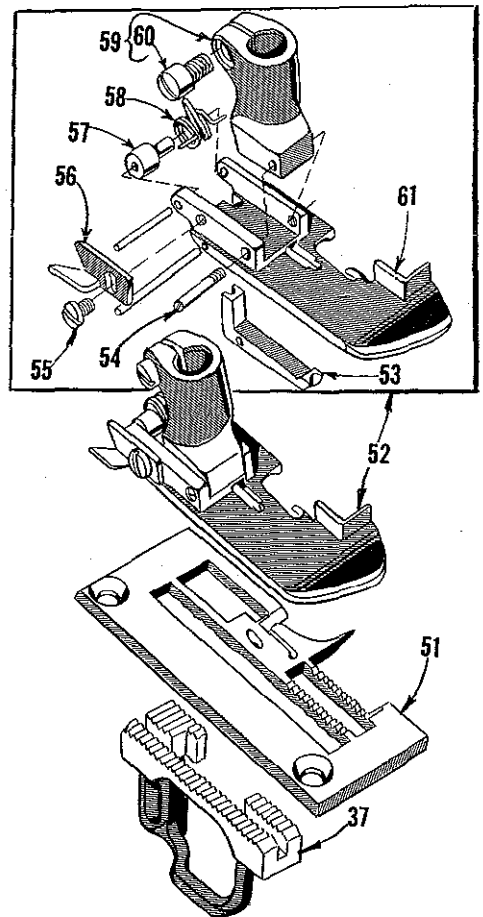
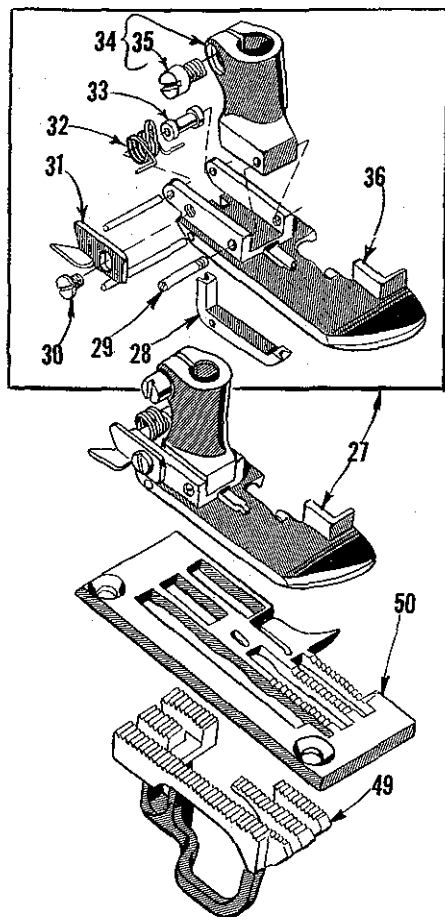
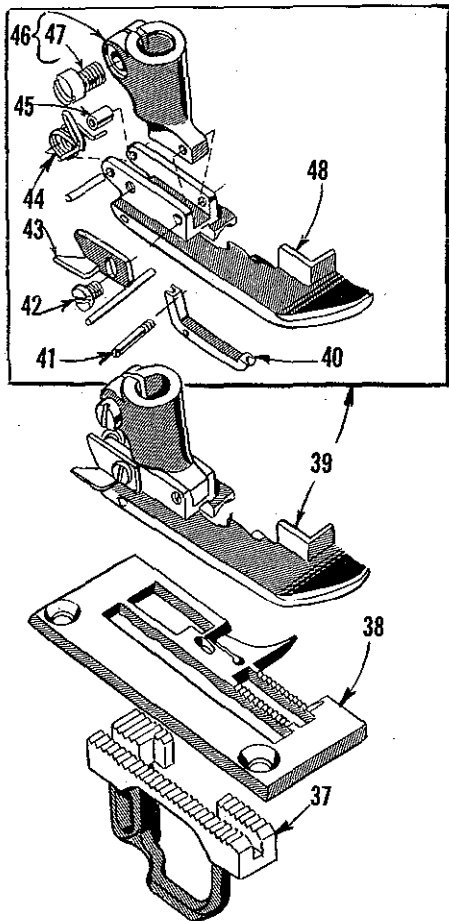
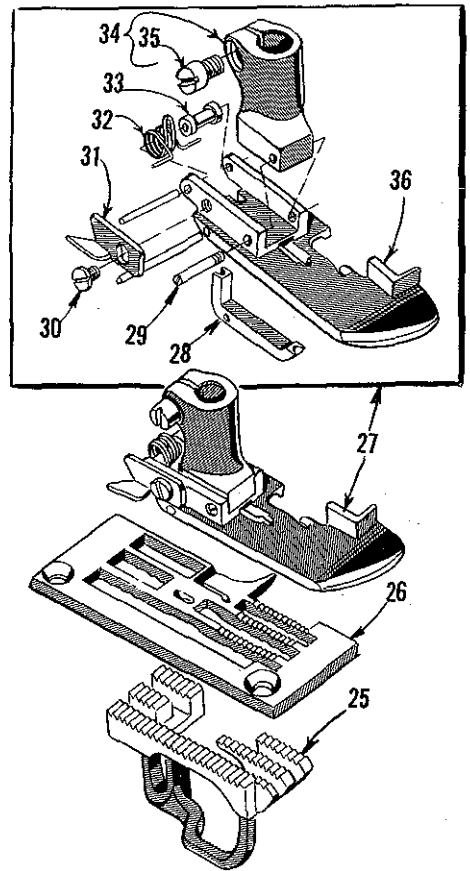
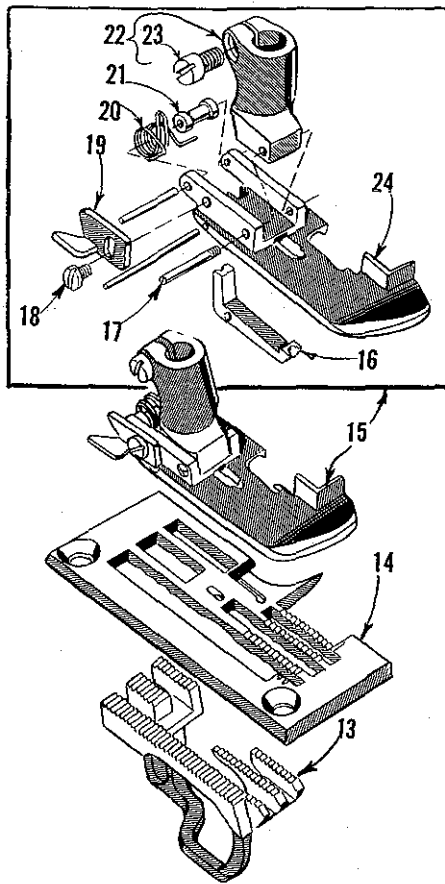
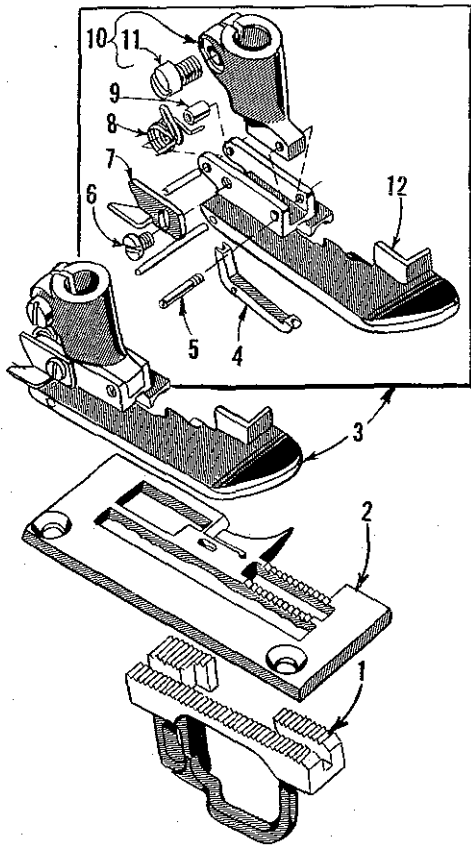
<u>Ref. No.</u>	<u>Part No.</u>	<u>Description</u>	<u>Amt. Req.</u>
1	482	Collar-----	2
2	98	Screw-----	1
3	8	Feed Rocker Shaft-----	1
4	77	Screw-----	1
5	51235 A	Feed Rocker Arm-----	1
6	51235 G	Washer-----	2
7	22519 C	Screw-----	2
8	51134 C	Feed Bar Shaft-----	1
9	51235	Feed Rocker-----	1
10	98	Screw-----	2
11	51134 R	Lubricating Felt Guard-----	1
12	51134 P	Lubricating Felt-----	1
13	22834	Screw-----	1
14	51134	Feed Bar-----	1
15	22560 B	Screw-----	1
16	538	Screw-----	1
17	51134 J	Feed Dog Holder Spacing Collar-----	1
18	258 A	Nut-----	1
19	22863	Screw-----	1
20	56334 E	Feed Dog Holder-----	1
21	77	Screw-----	1
22		Feed Dog (See Page 35)-----	1
23	22528	Screw-----	1
24	22585 B	Screw-----	1
25	51225 W	Washer-----	1
26	52325	Needle Guard-----	1
27	22801	Screw-----	1
28	269	Nut-----	1
29	20	Washer-----	1
30	51054	Feed Crank Pin-----	1
31	666-149	Oil Wick-----	1
32	51236 E	Feed Crank Link Assembly-----	1
33	660-169	Needle Bearing-----	1
34	51236 D	Feed Crank Link-----	1
35	51236 F	Ferrule-----	1
36	22768	Screw-----	2
37	51236 B	Feed Crank Stud Cap-----	1
38	82	Screw-----	1
39	51236 G	Feed Crank Stud-----	1
40	52322	Main Shaft-----	1
41	29476 DR	Feed Lift Eccentric Assembly-----	1
42	51145 A	Eccentric Bearing-----	1
43	51142 C	Eccentric, .080 inch throw-----	1
44	22894 D	Screw-----	1
45	51236 A	Link Pin-----	2
46	29476 DP	Knife Drive Eccentric Assembly-----	1
47	51145 A	Eccentric Bearing-----	1
48	51142 B	Eccentric, .140 inch throw-----	1
49	22894 D	Screw-----	1
50	52323	Take-up-----	1
51	96	Screw, spot-----	1
52	22580 D	Screw, set-----	1
53	29476 DV	Looper Avoid Eccentric Assembly, for Styles 52300 B, D-----	1
	29476 DX	Looper Avoid Eccentric Assembly, for Styles 52300 E, F-----	1
54	51145 A	Eccentric Bearing-----	1
55	51406	Eccentric, .062 inch throw, for 29476 DV-----	1
	51306	Eccentric, .072 inch throw, for 29476 DX-----	1
56	22894 D	Screw-----	1
57	52336	Link Pin, for knife drive-----	1
58	660-215	Retaining Ring-----	2





THREAD TENSION AND LIFTER LEVER PARTS

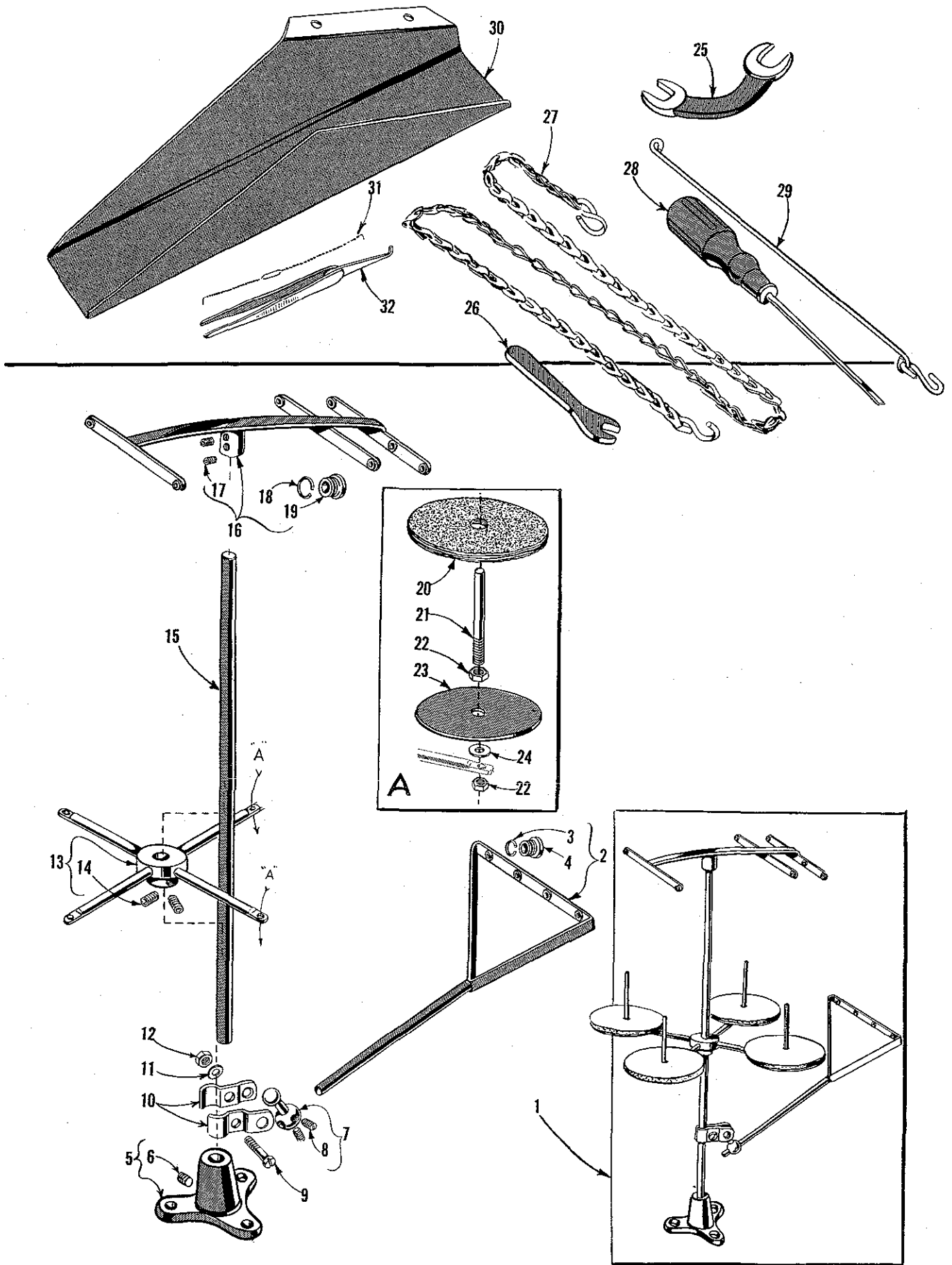
<u>Ref. No.</u>	<u>Part No.</u>	<u>Description</u>	<u>Amt. Req.</u>
1	56356	Presser Spring Regulator -----	1
2	51256 C	Presser Spring -----	1
3	53783 L	Presser Foot Lifter Lever Bell Crank-----	1
4	53783 A	Lifter Lever Link -----	1
5	22758 C	Screw -----	1
6	402	Screw -----	1
7	51257 M	Presser Bar Connection and Guide -----	1
8	531	Screw -----	1
9	51257 K	Presser Bar -----	1
10	52888 B	Presser Bar Stop Collar -----	1
11	22562	Screw -----	2
12	22557 B	Screw -----	1
13	52883 S	Presser Foot Lifter Lever Bell Crank Spring -----	1
14	53783 M	Presser Foot Lifter Lever Connecting Rod-----	1
15	660-207	Oil Seal Ring -----	1
15A	39552 C	Washer, for presser foot lifter lever -----	1
16	51283 H	Presser Foot Lifter Lever -----	1
17	21657 Y	Connection Assembly -----	1
18	402	Screw -----	1
19	22596	Screw -----	1
20	21657 W	Tension Release Lever Shaft -----	1
21	53783 N	Presser Foot Lifter Lever, internal -----	1
22	22537	Screw -----	1
23	43266	Nut -----	3
24	51491 C	Lead-in Thread Eyelet -----	5
25	56382 X	Tension Post Support -----	1
26	51292 D	Tension Thread Eyelet -----	5
27	668-25	Eyelet -----	2
28	668-28	Eyelet Locking Ring -----	2
29	21657-4	Tension Release Separator -----	1
30	51292 A	Tension Post Ferrule -----	5
31	51292 G	Tension Post -----	5
32	109	Tension Disc -----	10
33	51292 F-5	Tension Spring (needle) -----	2
34	51292 F-4	Tension Spring (looper) -----	3
35	51292 C	Tension Nut -----	5
36		Presser Foot (See Page 35) -----	1



FEED DOGS, THROAT PLATES, PRESSER FEET

Ref. No.	Part No.	Description	Amt. Req.
1	52305 D-5-1/8	Feed Dog, for Nos. 5-1/8, 8-1/8 gauges on Styles 52300 B, D	1
2	52324 C-5-1/8	Throat Plate, for No. 5-1/8 gauge on Styles 52300 B, D, E, F (10 to 16 stitches per inch)	1
3	52327 B-5-1/8	Presser Foot, for No. 5-1/8 gauge on Styles 52300 B, D	1
4	52330 B	Needle Hole Section	1
5	22799 F	Hinge Screw	1
6	604	Screw	1
7	52930 AC	Chain Cutting Knife	1
8	52330 D	Spring	1
9	52930 W	Spring Bearing Sleeve	1
10	52330	Presser Foot Shank	1
11	91	Screw	1
12	52330 G-5-1/8	Presser Foot Bottom	1
13	52305 D-12-1/8	Feed Dog, for No. 12-1/8 gauge on Styles 52300 B, D	1
14	52324 B-12-1/8	Throat Plate, for No. 12-1/8 gauge on Styles 52300 B, D (10 to 16 stitches per inch)	1
15	52320 B-12-1/8	Presser Foot, for No. 12-1/8 gauge on Styles 52300 B, D	1
16	52330 C	Needle Hole Section	1
17	22799 R	Hinge Screw	1
18	604	Screw	1
19	52930 AC	Chain Cutting Knife	1
20	52330 D	Spring	1
21	52330 E	Spring Bearing Sleeve	1
22	52930 H	Presser Foot Shank	1
23	91	Screw	1
24	52330 F-12-1/8	Presser Foot Bottom	1
25	52305 D-12-3/16	Feed Dog, for No. 12-3/16 gauge on Styles 52300 B, D	1
26	52324 B-12-3/16	Throat Plate, for No. 12-3/16 gauge on Styles 52300 B, D, E, F (10 to 16 stitches per inch)	1
27	52320 B-12-3/16	Presser Foot, for No. 12-3/16 gauge on Styles 52300 B, D	1
	52320 D-12-3/16	Presser Foot, for No. 12-3/16 gauge on Styles 52300 E, F	1
28	52330 C	Needle Hole Section	1
29	22799 R	Hinge Screw	1
30	604	Screw	1
31	52930 AC	Chain Cutting Knife	1
32	52330 D	Spring	1
33	52330 E	Spring Bearing Sleeve	1
34	52930 H	Presser Foot Shank	1
35	91	Screw	1
36	52330 F-12-3/16	Presser Foot Bottom, for 52320 B-12-3/16	1
	52330 K-12-3/16	Presser Foot Bottom, for 52320 D-12-3/16	1
37	52305 F-5-1/8	Feed Dog, for No. 5-1/8, 8-1/8 gauges on Styles 52300 E, F	1
38	52324 E-5-1/8	Throat Plate, for No. 5-1/8 gauge on Styles 52300 E, F (7 to 10 stitches per inch)	1
39	52320 D-5-1/8	Presser Foot, for No. 5-1/8 gauge on Styles 52300 E, F	1
40	52330 B	Needle Hole Section	1
41	22799 F	Hinge Screw	1
42	604	Screw	1
43	52930 AC	Chain Cutting Knife	1
44	52330 D	Spring	1
45	52930 W	Spring Bearing Sleeve	1
46	52330	Presser Foot Shank	1
47	91	Screw	1
48	52330 K-5-1/8	Presser Foot Bottom	1
49	52305 F-12-3/16	Feed Dog, for No. 12-3/16 gauge on Styles 52300 E, F	1
50	52324 E-12-3/16	Throat Plate, for No. 12-3/16 gauge on Styles 52300 E, F (7 to 10 stitches per inch)	1
51	52324 C-8-1/8	Throat Plate, for No. 8-1/8 gauge on Styles 52300 B, D, E, F (10 to 16 stitches per inch)	1
	52324 E-8-1/8	Throat Plate, for No. 8-1/8 gauge on Style 52300 E, F (7 to 10 stitches per inch)	1
52	52320 B-8-1/8	Presser Foot, for No. 8-1/8 gauge on Styles 52300 B, D	1
	52320 D-8-1/8	Presser Foot, for No. 8-1/8 gauge on Styles 52300 E, F	1
53	52330 C	Needle Hole Section	1
54	22799 R	Hinge Screw	1
55	604	Screw	1
56	52930 AC	Chain Cutting Knife	1
57	52930 AG	Spring Bearing Sleeve	1
58	52330 D	Spring	1
59	52930 H	Presser Foot Shank	1
60	91	Screw	1
61	52330 F-8-1/8	Presser Foot Bottom, for 52320 B-8-1/8	1
	52330 K-8-1/8	Presser Foot Bottom, for 52320 D-8-1/8	1

NOTE: No. 52330 J chip curler and No. 22561 screw for chip curler on presser feet No. 52320 D-5-1/8 and 52320 D-12-3/16 are not shown on picture plate.



THREAD STAND PARTS AND ACCESSORIES

<u>Ref. No.</u>	<u>Part No.</u>	<u>Description</u>	<u>Amt. Req.</u>
1	21101 H-4	Thread Stand Assembly-----	1
2	21114 S-4	Lead Eyelet-----	1
3	21114 M	Eyelet Locking Ring-----	4
4	21114 L	Eyelet-----	4
5	21114 A	Thread Stand Base-----	1
6	22651 CD-3	Screw-----	1
7	21114 T	Lead Eyelet Socket Ball-----	1
8	22651 CD-4	Screw-----	2
9	22810	Screw-----	1
10	21114 U	Lead Eyelet Ball Split Socket-----	2
11	652-16	Washer-----	1
12	21104 H	Nut-----	1
13	21114 D-4	Spool Seat Support-----	1
14	22651 CD-5	Screw-----	2
15	21104 B-24	Thread Stand Rod-----	1
16	21114 H-4	Eyelet Support-----	1
17	22651 CD-4	Screw-----	2
18	21114 M	Eyelet Locking Ring-----	8
19	21114 L	Eyelet-----	8
20	21104 V	Pad-----	4
21	21114 W	Spool Pin-----	4
22	258 A	Nut-----	8
23	21114	Spool Seat Disc-----	4
24	652-16	Washer-----	4
25	21388 W	Wrench, double end, curved, 9/32 inch opening-----	1
26	21388	Wrench, single end, 3/8 inch opening-----	1
27	421 D-28	Treadle Chain, 28 inches long-----	1
28	21201	Screw Driver, 9/64 inch round blade, length over-all 7 3/8 inches-----	1
29	51493 BC	Lifter Link-----	1
30	51278 F	Chip Chute-----	1
31	52399	Threading Wire-----	1
32	660-240	Thread Tweezers-----	1

NUMERICAL INDEX OF PARTS

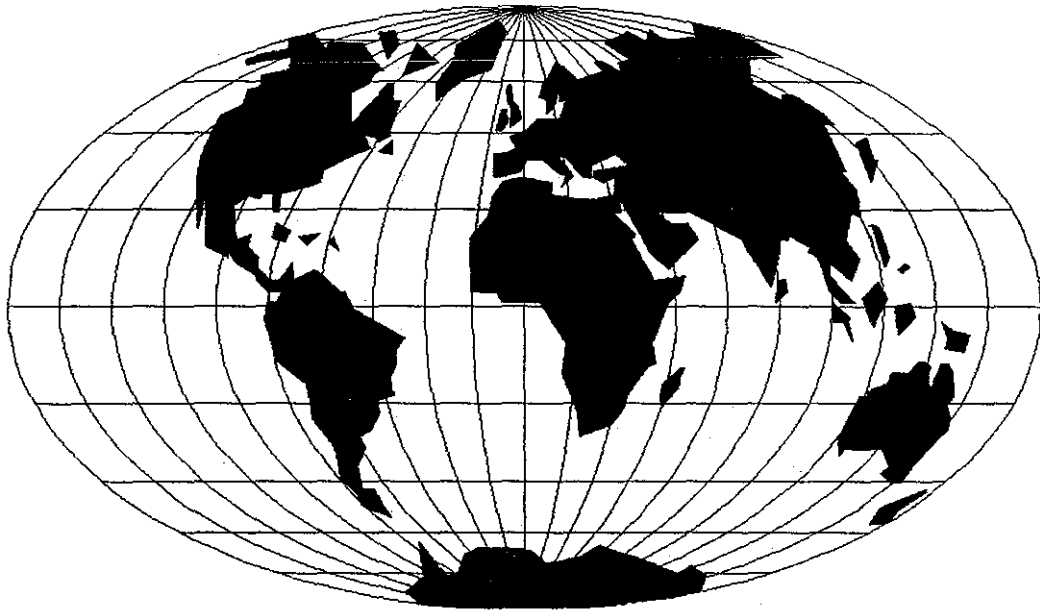
<u>Part No.</u>	<u>Page No.</u>	<u>Part No.</u>	<u>Page No.</u>	<u>Part No.</u>	<u>Page No.</u>
WO-3.....	29	668-28.....	33	22738.....	27
8.....	31	719.....	17	22738 B.....	27
18.....	25	906.....	23	22758 C.....	33
20.....	17, 25, 31	7947.....	17	22768.....	25, 29, 31
22 KH.....	27	15037 A.....	25	22784.....	29
25 B.....	19	15465 F.....	25	22798.....	23
25 S.....	19	21101 H.....	37	22799 F.....	35
27-435 Blk.....	29	21104 B.....	37	22799 M.....	17
28.....	17, 19	21104 H.....	37	22799 R.....	35
50-216 Blk.....	17	21104 V.....	37	22801.....	31
50-458 Blk.....	25	21114.....	37	22810.....	37
50-648 Blk.....	21	21114 A.....	37	22823 A.....	21
50-789 Blk.....	17	21114 D.....	37	22823 B.....	21
52 A.....	17	21114 H.....	37	22829.....	25
73.....	25	21114 L.....	37	22834.....	31
77.....	23, 27, 29	21114 M.....	37	22839.....	19
	31	21114 S.....	37	22848.....	17
80.....	19	21114 T.....	37	22863.....	31
82.....	31	21114 U.....	37	22882 A.....	25
87.....	19	21114 W.....	37	22889 A.....	17
87 U.....	17	21201.....	37	22889 C.....	21
J87 J.....	27	21212.....	21	22889 D.....	21
88.....	25, 29	BB21375 AH.....	17	22894 C.....	23, 27
89.....	29	21388.....	37	22894 D.....	31
90.....	17, 21	21388 W.....	37	22894 G.....	29
91.....	35	21657-4.....	33	22894 J.....	23
93.....	17	21657 E.....	17	22894 P.....	23
95.....	17, 27, 29	21657 W.....	33	22894 X.....	27, 29
96.....	25, 31	21657 X.....	21	29066 R.....	29
97.....	23	21657 Y.....	33	29192.....	25
98.....	25, 31	22503.....	27	29348 AF.....	29
98 A.....	17	22513.....	17	29476 DP.....	31
109.....	33	22517 B.....	17	29476 DR.....	31
258.....	21	22519 C.....	31	29476 DV.....	31
258 A.....	21, 25, 31	22519 H.....	25	29476 DX.....	31
	37	22528.....	17, 31	29476 KB.....	29
269.....	25, 31	22537.....	33	29476 KF.....	27
376 A.....	19	22539 H.....	21	29476 LG.....	27
402.....	33	22541 B.....	17	35178 D.....	21
421 D.....	37	22542.....	17	35731 A.....	17
482.....	31	22548.....	19	35766.....	19
482 C.....	27	22557 B.....	33	39151.....	27
531.....	33	22559 G.....	29	39158 G.....	19
538.....	31	22560 B.....	21, 27, 31	39158 U.....	19
539.....	17	22561.....	35	39171 N.....	23
604.....	19, 35	22562.....	33	39173.....	23
643-127 Blk.....	21	22562 A.....	27, 29	39270 K.....	23
652-16.....	37	22564.....	29	39543.....	27
660-136.....	21	22564 G.....	27	39543 A.....	27
660-169.....	31	22565 C.....	29	39543 E.....	27
660-202.....	29	22568.....	19	39543 M.....	27
660-206.....	23	22569 B.....	17, 21, 29	39543 P.....	27
660-207.....	33	22571 A.....	21	39543 T.....	27
660-212.....	29	22580 D.....	31	39544 B.....	27
660-215.....	29, 31	22585.....	21, 27	39544 D.....	27
660-240.....	37	22585 A.....	27	39544 J.....	27
660-310.....	25	22585 B.....	31	39544 N.....	27
660-614.....	29	22585 C.....	23	39552 C.....	33
666-65.....	21	22586 R.....	29	39582 L.....	17
666-111.....	21	22587.....	27	39595.....	21
666-114.....	21	22588 A.....	19	41255 BA.....	27
666-118.....	21	22595.....	23	41355 U.....	25
666-149.....	31	22596.....	21, 33	43266.....	33
666-179.....	21	22651 CD.....	37	51054.....	31
666-201.....	21	22711.....	17, 23	51134.....	31
666-208.....	21	22729.....	27	51134 C.....	31
666-209.....	21	22729 A.....	21	51134 J.....	31
666-214.....	21	22729 B.....	21	51134 P.....	31
666-255.....	27	22729 C.....	25	51134 R.....	31
667 C.....	23	22729 D.....	27	51142 B.....	31
668-25.....	33	22729 E.....	27	51142 C.....	31
		22729 L.....	23		

NOTE: Only the basic part numbers are shown in the index. For various gauges, capacities, etc., available, refer to the listings on pages indicated.

NUMERICAL INDEX OF PARTS

<u>Part No.</u>	<u>Page No.</u>	<u>Part No.</u>	<u>Page No.</u>	<u>Part No.</u>	<u>Page No.</u>
51144	25	52301	19	52390	21
51145 A	31	52305 D	35	52393	21
51147	29	52305 F	35	52393 A	21
51213	25	52308	25	52393 D	21
51216 G	29	52308 B	27	52393 H	21
51216 M	29	52310	27	52393 J	21
51216 N	25, 29	52317	29	52393 K	21
51216 P	29	52318 A	29	52393 L	21
51225 W	31	52318 B	29	52394 C	23
51235	31	52318 C	29	52399	37
51235 A	31	52320 B	35	52804 A	17
51235 G	31	52320 D	35	52882 P	17
51236 A	31	52322	31	52882 U	19
51236 B	31	52323	31	52882 W	17
51236 D	31	52324 B	35	52882 AA	17
51236 E	31	52324 C	35	52882 AC	17
51236 F	31	52324 E	35	52882 AD	17
51236 G	31	52325	31	52882 AE	19
51240 D	25	52327 B	35	52883 R	21
51242 M	25	52330	35	52883 S	33
51243 C	27	52330 B	35	52885 L	17
51244	25	52330 C	35	52888 B	33
51244 B	25	52330 D	35	52890 C	21
51244 L	25	52330 E	35	52891 B	21, 29
51244 N	25	52330 F	35	52894 AB	21
51246	25	52330 G	35	52894 AK	21
51250 D	29	52330 J	35	52921 B	29
51250 F	29	52330 K	35	52930 H	35
51254 C	21	52336	31	52930 W	35
51254 D	21	52336 A	29	52930 AC	35
51254 K	29	52343 C	29	52930 AG	35
51256 C	33	52343 D	27	52936	21
51257 K	33	52344	27	52942 A	27
51257 M	33	52344 D	27	52942 P	25
51257 AA	21	52344 E	27	52942 R	25
51270 B	17	52344 F	27	52942 W	21
51272 C	23	52344 H	25	52942 X	21
51272 D	23	52345	23	52942 Y	17
51278 F	37	52345 A	23	52943 N	27
51278 G	19	52345 B	23	52943 P	27
51280 E	21	52346	27	52944 T	21
51280 J	19	52346 A	27	52944 U	21
51282 Y	17	52346 C	27	52951 C	27
51282 Z	17	52346 D	27	52958 G	17
51282 AC	17	52349	19	52970 E	23
51283 H	33	52350 A	19	52994 AC	21
51290 T	21	52350 B	19	53783 A	33
51292 A	33	52357 A	17	53783 L	33
51292 C	33	52358 A	17	53783 M	33
51292 D	33	52358 C	17	53783 N	33
51292 F	33	52358 D	17	55241 N	25
51292 G	33	52358 E	17	55244 G	25
51294 K	21	52360	27	56315 A	29
51294 M	21	52370 A	23	56334 E	31
51294 P	17	52371 A	23	56341 E	25
51294 R	17	52371 B	23	56341 G	25
51294 U	21	52372	23	56341 M	25
51294 Z	21	52372 A	23	56343 D	27
51295 B	21	52373 A	23	56350 D	29
51306	31	52373 B	23	56350 E	29
51406	31	52373 C	23	56350 F	29
51472 A	23	52373 D	23	56350 G	29
51472 B	23	52373 E	23	56354 D	29
51491 C	33	52378 C	19	56356	33
51493 E	21	52378 D	19	56358	29
51493 AZ	21	52378 E	19	56382 X	33
51493 BC	37	52380 B	19	56382 AC	17
51493 BG	21	52381 B	19	56390 E	29
51493 BH	21	52381 C	19	56458	29
51493 BJ	21	52382	19	57885	17
51493 BK	21	52382 A	19	57885 B	17
51745	25	52385	17	61341 J	21

NOTE: Only the basic part numbers are shown in the index. For various gauges, capacities, etc. available, refer to the listing on pages indicated.



## WORLDWIDE SALES AND SERVICE

Union Special Corporation maintains sales and service facilities throughout the world. These offices will aid you in the selection of the right sewing equipment for your particular operation. Union Special Corporation representatives and service technicians are factory trained and are able to serve your needs promptly and efficiently. Whatever your location, there is a qualified representative to serve you.

It is important to remember that LEWIS® machines are also products of Union Special Corporation, thus offering the Finest Quality sewing machines.

**Corporate Offices:**

One Union Special Plaza  
Huntley, IL 60142  
(708) 669-5101

Union Special GmbH  
Raiffeisenstrasse 3  
D-71696 Möglingen, Germany  
Tel. 07141-2470

Brussels, Belgium  
Commerce, CA  
Leicester, England  
Lille, France  
Miami, FL  
Möglingen, Germany  
Huntley, IL  
Milan, Italy  
Osaka, Japan  
Hong Kong  
Charlotte, N.C.  
Warminster, PA  
Montreal, Quebec  
El Paso, TX  
Mission, TX

Other Representatives throughout all parts  
of the world.



**Union Special**  
INDUSTRIAL SEWING EQUIPMENT